

SIEMENS



Smart. Easy. Reliable.

Monitoring Relay 7UG0 and Timers 7PV0

Answers for industry.

Smart. Easy. Reliable.

The continuity of electrical power supply is very important especially for the industrial sector where a stoppage of process is extremely costly. Thus it is extremely important to take necessary action to prevent the faults in the system, however if the faults still occur, it is imperative that we take sufficient care to minimize the potential damage to life, equipment and property.

With 7UG0 monitoring relays & 7PV0 timers, Siemens offers a smart, reliable and economical solution to monitor and control motors and machines.

The 7UG0 monitoring relays provide protection for machines, plants and systems. These relays detect current and voltage faults early and initiate appropriate response to prevent any significant damage.

The monitoring relays enables shutdown of the affected section of the plant by means of a relay output and also raises an alarm. The monitoring relays have settable time delays to respond flexibly to short-term disturbances such as voltage dips or load variations. This avoids nuisance alarms and unplanned shutdowns, which enhances plant availability and profitability



7UG0 Monitoring Relays

Range:

- Line monitoring relays
- Voltage monitoring relays
- Residual current monitoring relays

Relay	MLFB	Ø	Phase failure protection	Imbalance protection	Phase reversal protection	Under voltage protection	Over voltage protection	Under freq. protection	Over freq. protection	Earth leakage protection
Line monitoring relay	7UG0 712	3Ø 3W	✓	✓	✓					
	7UG0 818	3Ø 3W / 3Ø 4W	✓	✓	✓	✓	✓	✓	✓	
Voltage Monitoring relay	7UG0 753	3Ø 3W	✓		✓	✓	✓			
Earth leakage relay	7UG0 84	1Ø 2W / 3Ø 3W / 3Ø 4W								✓

Features:

- Monitoring of electrical parameters viz: Phase sequence, Phase imbalance, Phase Failure
- Protection from under voltage and over voltage
- LCD display for 35mm width product
- Din rail mounting
- Compact dimensions


Benefits:

- Wide sensing range leads to fewer variants – Optimized inventories
- Durable and maintenance free product
- DIN rail mounting – Quick & Easy Installation
- Entire range is covered in only two sizes giving uniformity and better aesthetics
- Reliable protection from voltage and leakage current
- RoHS compliant



Standards and approbations:

The 7UG0 range conforms to IEC 60947-4-1 & IEC60947-5-1.

They also carry  mark

Applications:

The 7UG0 ranges of monitoring relays are suitable for variety of applications.

These relays can be used for monitoring of balanced and unbalanced supplies in AMF panels, PCCs, Distribution boards and for monitoring of individual Motors / Pumps.

They provide reliable protection of motors from hazards like single phasing; phase reversal and system unbalance. They also safeguard the machine / motor from the system stress viz: under and over voltages, residual current etc.

These relays find application across Industries in wide range of machine and tools.



Air conditioning & compressors



Lifts
Passenger transport



Transportable systems



Automotive industry



Lighting control



Plastics processing machines



Building systems



Food & Beverages

Line monitoring relay:

Line monitoring relays are suitable for monitoring of incoming 3phase 3wire and 3phase 4wire supply. These relays are capable of monitoring Phase imbalance, Phase reversal, Phase failure and Frequency variations. The relays are independent of load and can be used for any ratings. They can be used in all the applications where the monitoring of mains supply is essential like AMF/Transfer switch panels, air conditioning control panels, Pump control panels, lifts / hoists control panels etc.

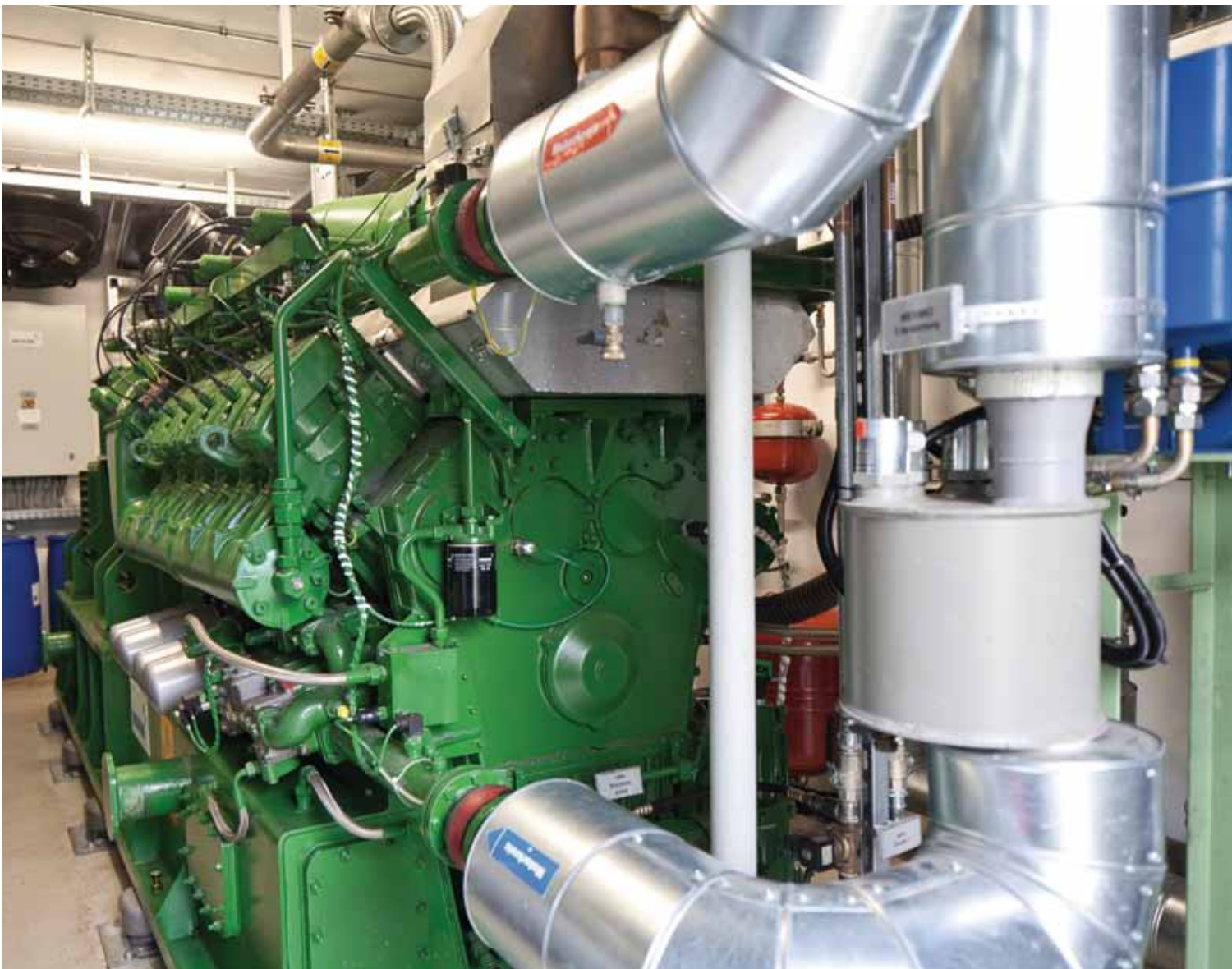
Voltage monitoring relay:

Voltage monitoring relays are suitable for monitoring of balanced or unbalanced 3phase 3wire supplies. These relays find applications where, even a dip or a long surge

in the system is harmful and can damage the equipment associated to it. These relays can be used in all electrical systems for e.g. loads powered by Generators, UPS, stabilizers, Inverters or by Electricity boards; in AMF panels, PCCs, MCCs & for monitoring of individual loads/motors/ pumps etc.

Earth leakage relay:

Earth leakage relay are used to protect electrical system from fire and other electrical hazards. The unit consists of two parts: Basic relay & core balance current transformer (CBCT) CBCT is a used to sense the leakage current of the electrical System. The secondary of the CBCT is wired to the basic relay If earth leakage current exceeds than the set value, the electromagnetic relay is energized which can be used for tripping MCCB / OCB / ACB or any other device.



Monitoring Relays: Technical data

			Line monitoring relay		Voltage monitoring relay	Earth Leakage monitoring relay	
			7UG0712-1AA20	7UG0818-1CA20	7UG0753-1AA20	7UG0841-1CB20 & 7UG0842-1CD20	
Main Circuit	Rated Insulation Voltage [Ui]	Ui (V) AC	480	500	480	300	
	Rated system supply voltage [Ue]	Ue (V) AC	415				
	Operating band	V AC	154 - 480V (L-L)	280 - 500V AC (L-L) 160 - 288V AC (L-N)	310 - 480V AC (L-L)	10mA - 30A	
	Rated Control supply (Aux. voltage)	V	Built-in				110 & 240 V AC +/- 15%
	Rated Impulse Withstand Voltage [Uimp] (For Overvoltage Category II)	kV	2.5	4	2.5	2.5	
	Rated Frequency	Hz	50/60				
	Pollution Degree For PCB For Product		2 3				
Current/ Voltage Range	Measuring range (RMS value)	V / A	154 - 480 V AC	10 - 500 V AC (L-L) 10 - 288 V AC (L-N)	310 - 480 V AC	4mA - 30A	
	Setting range	V / A	fixed	280 - 500 V AC (L-L) 160 - 288 V AC (L-N)	310 - 480 V AC	10mA - 30A	
Response	Response time maximum	ms	200	<200ms	<200	<30ms for >/- 5x set value <50ms for >/- 1x set value	
	Recovery time	ms	<300ms	0 -99.9 sec (Settable)	<300ms	0 -99.9 sec (Settable)	
	Accuracy	%	±3% of FS for Time	±5% of setting + 200ms ±1% of setting for Voltage ±0.3% of setting for Frequency	±5% of FS for Time ±1% of FS for Voltage	±5% of setting + 100ms ±5% of setting for current	
	Power consumption	VA	22 VA	30VA max	22 VA	3VA max	
Endurance	Mech endurance operating cycles	(mio)	10	10	10	10	
	Elect endurance AC15:3A @ 250V AC (900 ops./hr)	(mio)	0.1	0.1	0.1	0.1	
	Ambient temperature (Operational)	° C	0 to 50	0 to 50	0 to 50	0 to 50	
	Ambient temperature (storage)	° C	-20 to +70	-20 to +70	-20 to +70	-20 to +70	
	Screw tightening torque	NM	0.6	0.5	0.6	0.5	
	Conductor cross section (Solid)	Sq mm	1 x (0.75 to 2.5) 2 x 0.5 to 2x 1.5	1 x (0.75 to 2.5) 2 x 0.5 to 2x 1.5	1 x (0.75 to 2.5) 2 x 0.5 to 2x 1.5	1 x (0.75 to 2.5) 2 x 0.5 to 2x 1.5	
	Conductor cross section fine stranded with end sleeve	Sq mm	2 x (0.5 to 1.5) 1 x (0.5 to 2.5)	2 x (0.5 to 1.5) 1 x (0.5 to 2.5)	2 x (0.5 to 1.5) 1 x (0.5 to 2.5)	2 x (0.5 to 1.5) 1 x (0.5 to 2.5)	
	Degree of protection of Device		IP20	IP20	IP20	IP20	
Network	Protection (AC network)	1 Ø - 2W	–	–	–	√	
		3 Ø, 3 W	√	√selectable	√	√	
		3 Ø, 4 W		√selectable		√	

			Line monitoring relay		Voltage monitoring relay	Earth Leakage monitoring relay
Features	Pre-warning	A				Y(50-100%)
	CBCT error	A				√
	Earth Leakage trip setting	A				10mA--30A
	Phase failure	V	√	√	√	
	Phase reversal	V	√	√	√	
	Phase imbalance	V	30V fixed	5 - 99.9%	-	
	Under voltage / current protection	V / A		280-500 V _{L-L} for 3 Ø, 3 W 160-288 V _{L-N} for 3 Ø, 4 W	310 - 405V	
	Over voltage / current protection	V / A		280-500 V _{L-L} for 3 Ø, 3 W 160-288 V _{L-N} for 3 Ø, 4 W	425 - 480V	
	Under freq protection	Hz		45 - 65		
	Over freq protection	Hz		45 - 65		
Reset	Auto/ Manual / Remote		A	A/M	A	A/M/R
Delay	Hysteresis	V / A	6V	1 - 99 for V 0.2 - 2 for Hz 2 - 2-% for Asymmetry	2V	5 - 40 % of set value
	Power on delay	s	200 ms	2 - 99.9s	400ms	0.5 - 99.9s
	Trip time delay	s	Fixed	0 - 99.9s	0.2 - 10	0 - 99.9s
	Recovery time setting	s		0 - 99.9s		0 - 99.9s
Output	Max current (I _{th})		5A			
	Contacts @ AC 15, 250VAC	1C/O	3A / 250V		3A / 250V	
	Contact s @ AC 15, 250VAC	2x 1C/O			3A / 250V	
	Contacts @ AC 12, 250VAC	1C/O	5A / 250V		5A / 250V	
	Contact s @ AC 12, 250VAC	2x 1C/O			5A / 250V	
	Terminal Connections					
Display		Green LED on: Power ON Green LED off: Fault indication	"ON" LED: Power ON "R1" LED: Fault in Relay 1 "R2" LED: Fault in Relay 2 LCD: Parameters & Fault type	Green LED on: Relay ON Red LED on: Power ON	"ON" LED: Power ON "R1" LED: Fault in Relay 1 "R2" LED: Fault in Relay 2 LCD: Parameters & Fault type	
Dimensions	Width	mm	17.5	35	17.5	35
	Depth	mm	60	70.5	60	70.5
	Height	mm	90	90	90	90
	Weight	g	62	135	62	207
	Mounting		35mm DIN rail			
	Orientation		any			
Accessories	CBCT		-	-	-	CBCT
Certificates	Approbation		CE			
	Standard Compliance		IEC 60947-4-1 & IEC60947-5-1			

Selection and Ordering Data: Monitoring Relays



7UG0 712...



7UG0 818...



7UG0 753...



7UG0 84...



7UG0 99...

Relay	Description	Contacts	Supply Voltage	Width mm	MLFB
Line Monitoring relay	Line monitoring relay, 3Ø-3W	1 C/O	Self Powered	17.5	7UG0 712-1AA20
	Digital Line monitoring relay, 3Ø-3W, 3Ø-4W	2 C/O	Self Powered	35	7UG0 818-1CA20
Voltage Monitoring Relay	Voltage monitoring relay, 3Ø-3W	1 C/O	Self Powered	17.5	7UG0 753-1AA20
Earth Leakage Relay	Digital Earth Leakage Monitoring, 1Ø-2W, 3Ø-3W, 3Ø-4W	2 C/O	110V AC	35	7UG0 841-1CB20
	Digital Earth Leakage Monitoring, 1Ø-2W, 3Ø-3W, 3Ø-4W	2 C/O	230V AC	35	7UG0 842-1CD20
CBCT	Core Balance CT 35mm	-	-	-	7UG0 996
	Core Balance CT 70mm	-	-	-	7UG0 997
	Core Balance CT 120mm	-	-	-	7UG0 999

7PV0 Timing Relays:

Siemens offers 7PV0 electronic timers which meet the various control timing requirements of the industry. These timers comply with IEC 61812-1 & IEC 60947-5-1

Range:

ON delay: 10 different ranges - selectable

Control supply voltage options-

- Fixed 240 V AC

Time ranges –

- 0.1sec - 3 hrs

LED display



Multifunction: 5 functions

(ON delay, Interval, Cyclic equal on first, cyclic equal off first, Pulse output)

Control supply voltage options-

- Universal voltage 20 to 240V AC/DC

Time ranges –

- 0.1sec - 3 hrs (10 different ranges, Selectable)

LED display



Multifunction: 15 functions

(On delay (A), Interval (B), Asymmetrical cyclic OFF first (C), Asymmetrical cyclic ON first (D), Cyclic equal OFF first (E), Cyclic equal ON first (F), Pulse output (H), Delay on break (J), Delay on make / break (K), Interval after break (L), Single shot (P), Retrigger able Single shot (Q), Latching relay (R), Delay with Totalize (t), Interval with Totalize (U))

Control supply voltage options-

- Universal voltage 20 to 240V AC/DC

Time ranges –

- 0.1sec - 999 hrs

LCD display



Benefits:

- Space saving due to narrow width of 17.5mm
- High accuracy: Repeat accuracy < 1% & Setting accuracy < 5%
- Clear visual status indication through 2 separate LEDs both for actuation of control supply and the change over status
- High level of Electromagnetic compatibility (EMC) i.e. maximum immunity to interferences.
- Wide sensing range
- RoHS compliant



Standards and approbations:

- The 7PV0 range conforms to IEC 61812-1 & IEC 60947-5-1

Applications:

- 7PV0 electronic timers can be used for all delayed switching applications in control, starting and protection circuits. They are ideal for use in application like machine tools, material handling, process control and motor control.



Timing Relays: Technical data

			On delay	Multi-function (05 functions)	Multi-function (15 functions)
			7PV0712-1AD20	7PV0722-1BV20	7PV0732-1AV20
Main Circuit	Rated Insulation Voltage [Ui]	Ui (V) AC	300		
	Control voltage (Aux. voltage)	V	240V AC	20--240V AC/DC	20--240V AC/DC
	Control voltage tolerance		-15% to +10%	-15% to +10%	-15% to +10%
	Rated Impulse Withstand Voltage [Uimp] (For Overvoltage Category II)	KV	2.5		
	Rated Frequency	Hz	50/60		
	Pollution Degree For PCB For Product		2 3		
Response	Setting accuracy	%	±5% of full scale	±5% of full scale	± 0.5% of set time
	Repeat accuracy	%	±0.5%	±0.5%	± 0.1 %
	Recovery time	ms	<100	<100	<100
	Power consumption	VA	4VA	4VA	4VA
Endurance	Mech endurance operating cycles	(mio)	10	10	10
	Elect endurance AC15: 3A @ 250V AC (900 ops./hr)	(mio)	0.1	0.1	0.1
	Ambient temperature (Operational)	° C	0 to 50	0 to 50	0 to 50
	Ambient temperature (storage)	° C	-20 to +70	-20 to +70	-20 to +70
	Screw tightening torque	Nm	0.6	0.6	0.6
	Conductor cross section (Solid)	Sq mm	1 x (0.75 to 2.5) 2 x 0.5 to 2x 1.5	1 x (0.75 to 2.5) 2 x 0.5 to 2x 1.5	1 x (0.75 to 2.5) 2 x 0.5 to 2x 1.5
	Conductor cross section fine stranded with end sleeves	Sq mm Sq mm	2 x (0.5 to 1.5) 1 x (0.5 to 2.5)	2 x (0.5 to 1.5) 1 x (0.5 to 2.5)	2 x (0.5 to 1.5) 1 x (0.5 to 2.5)
	Degree of protection of device		IP20	IP20	IP20
Timing		s	0.1 sec to 3 hrs (10 time ranges)	0.1 sec to 3 hrs (10 time ranges)	0.1 sec to 999 hrs
Function			On delay	On delay (A) Interval (B) Cyclic equal OFF first (C) Cyclic equal ON first (Ci) Pulse output (D)	15 functions On delay (A) Interval (B) Asymmetrical cyclic OFF first (C) Asymmetrical cyclic ON first (D) Cyclic equal OFF first (E) Cyclic equal ON first (F) Pulse output (H) Delay on break (J) Delay on make / break (K) Interval after break (L) Single Shot (P) Retriggerable Single Shot (Q) Latching Relay (R) Delay on break with Totalise (T) Interval with Totalise (U)

			On delay	Multi-function (05 functions)	Multi-function (15 functions)
Output	Max current (Ith)		5A		
	Contacts @ AC 15, 250VAC	1C/O	3A / 250V		3A / 250V
	Contact s @ AC 15, 250VAC	2x 1C/O		3A / 250V	
	Contacts @ AC 12, 250VAC	1C/O	5A / 250V		5A / 250V
	Contact s @ AC 12, 250VAC	2x 1C/O		5A / 250V	
	Pause time				
	Terminal Connections				
	Screw		M3		
Display		Red LED:Power ON, Green LED:Rel ON	Red LED:Power ON, Green LED:Rel ON	LCD	
Dimensions	Width	mm	17.5	17.5	17.5
	Depth	mm	60	60	60
	Height	mm	90	90	90
	Weight	g	61	68	69
	Mounting		35mm DIN rail		
	Orientation		any		
Standards	Compliance		IEC 61812-1 & IEC 60947-5-1		

Selection and ordering data: Timing relays



7PV0 712...



7PV0 722...

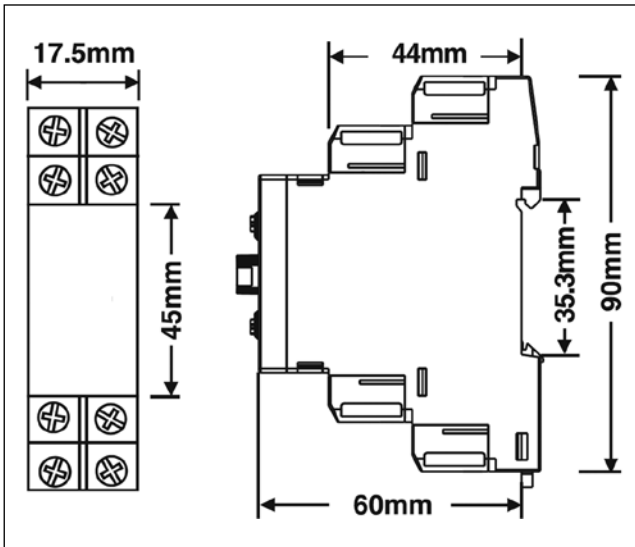


7PV0 732...

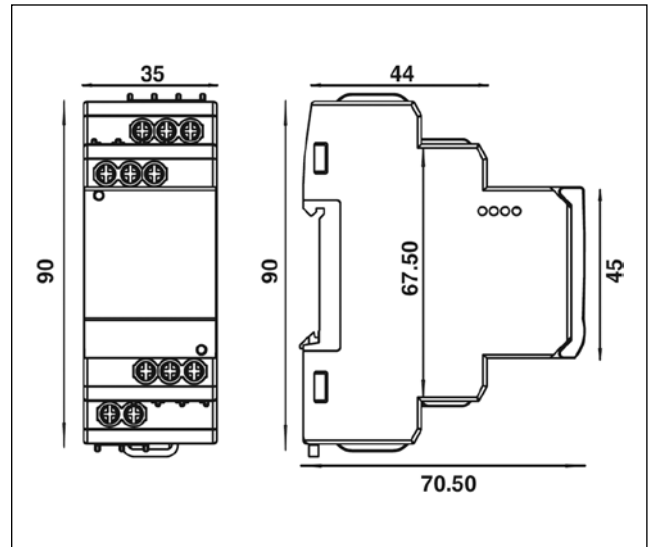
Timer	Description	Contacts	Supply Voltage	Width mm	MLFB
ON Delay	ON Delay, 10 Time Ranges	1 C/O	240V AC	17.5	7PV0 712-1AD20
Multifunction	Multifunction – 5 Functions, 10 Time Ranges	2 C/O	20 - 240V AC / DC		7PV0 722-1BV20
	Multifunction – 15 Functions, 8 Time Ranges	1 C/O	20 - 240V AC / DC		7PV0 732-1AV20

Dimensional drawings: Monitoring relays

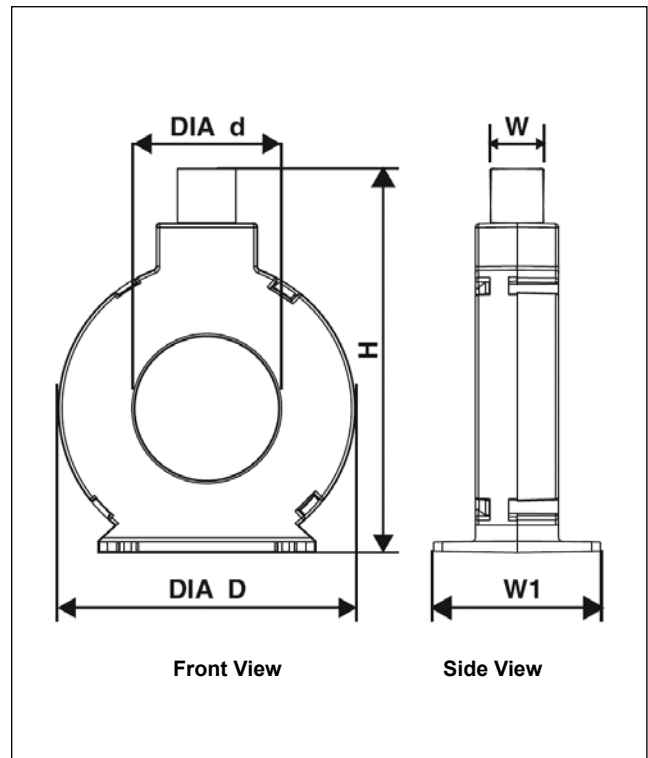
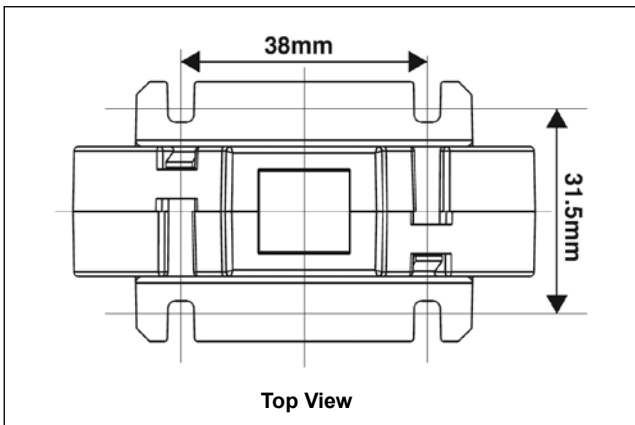
7UG0 7...



7UG0 8...



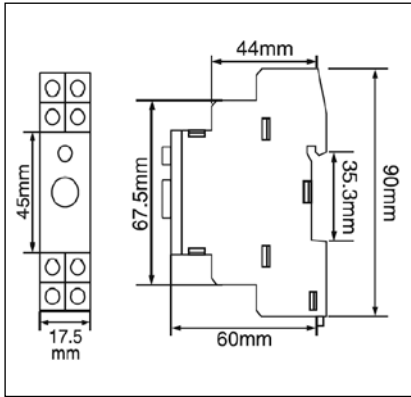
7UG0 9... (CBCT)



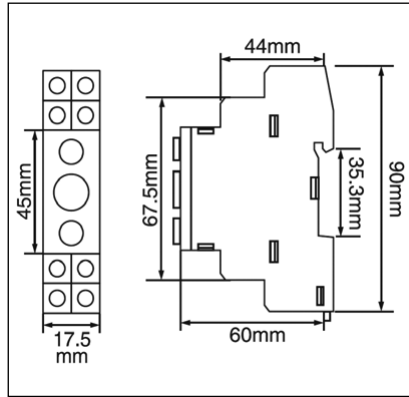
CBCT TYPE	Dimensions (mm)				
	D	d	H	W	W1
7UG0996	70	35	96	10	40
7UG0997	107	70	131	10	40
7UG0999	157	120	184	10	40
STD.TOL.	2 - 3	5 - 6	-	1.5 - 2	-

Dimensional drawings: Timing relays

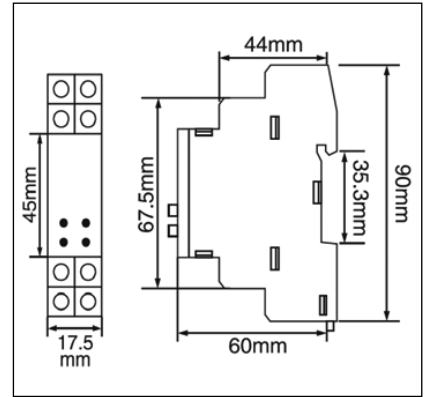
7PV0 712...



7PV0 722...

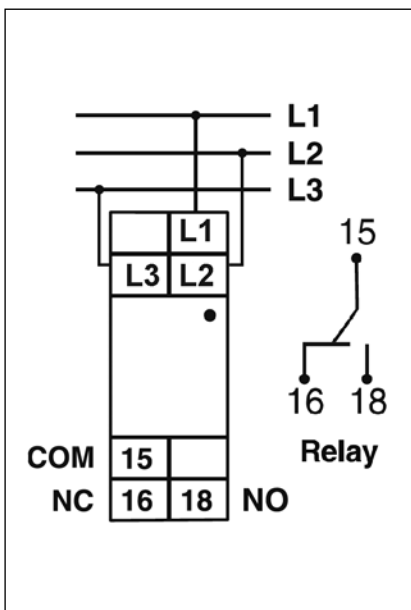


7PV0 732...

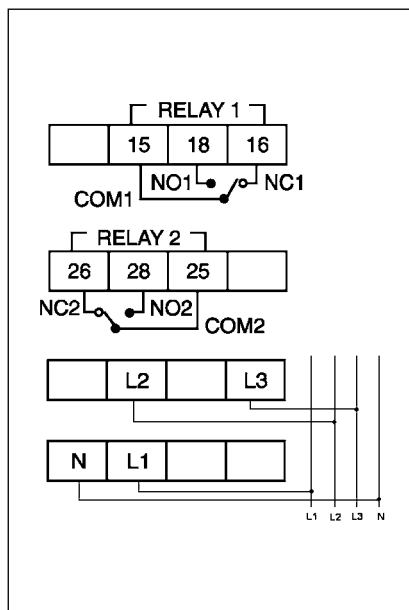


Terminal Connections:

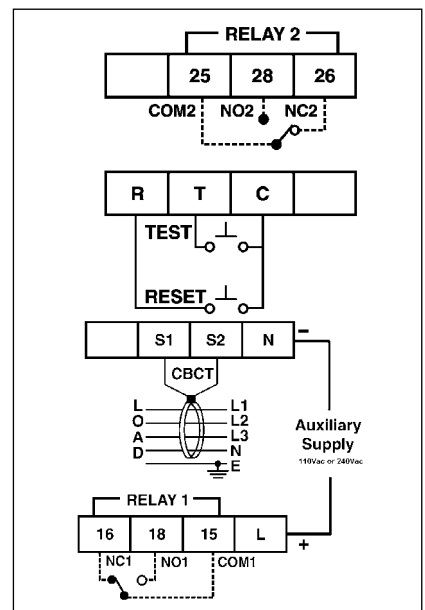
7UG0 71, 7UG0 75...



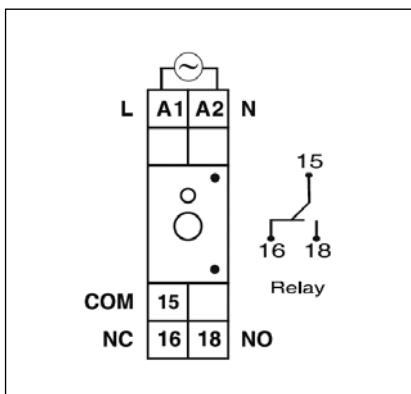
7UG0 818...



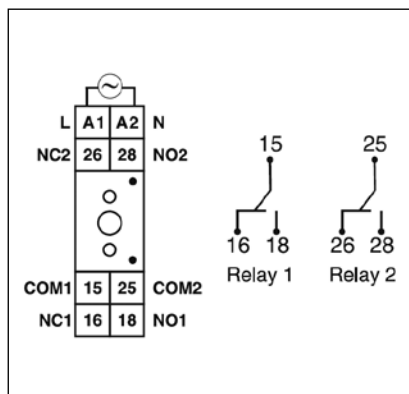
7UG0 84...



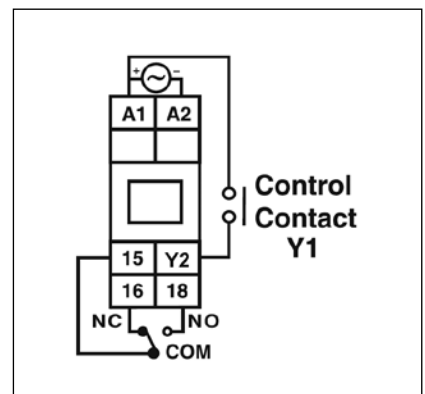
7PV0 712...



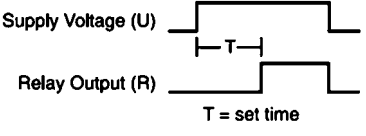
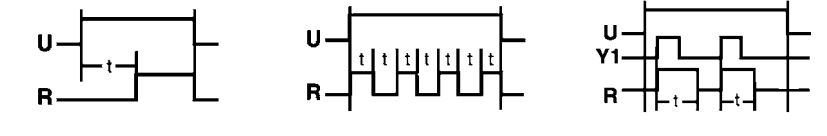
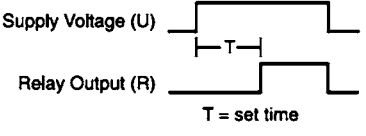
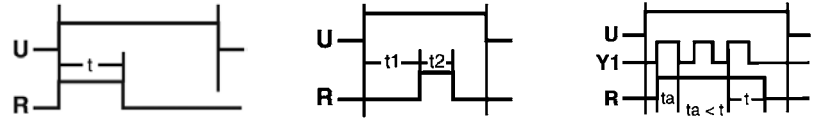
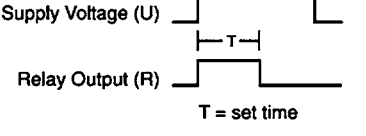
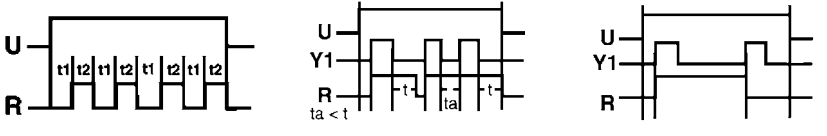
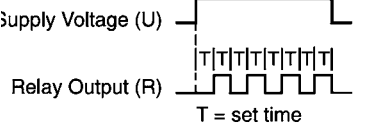
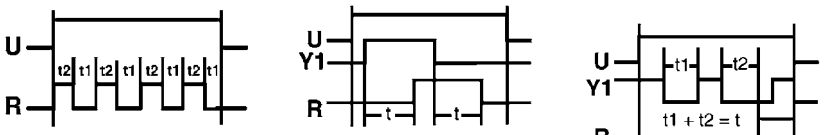
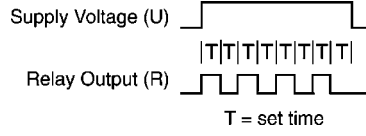
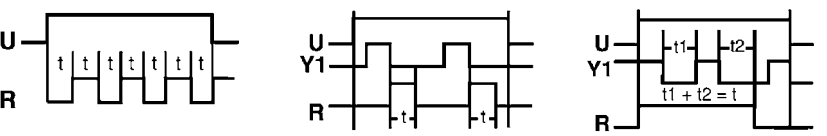
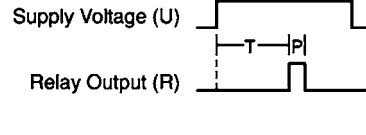
7PV0 722...



7PV0 732...



Timing diagram:

<p>7PV0 712-1AD20</p> <p>ON delay</p>  <p>T = set time</p>	<p>7PV0 732-1AV20</p> <p>A. ON delay F. Cycle equal (ON 1st) P. Single Shot</p> 		
<p>7PV0 722-1BV20</p> <p>A. ON Delay</p>  <p>T = set time</p>	<p>B. Interval H. Pulse output Q. Retriggerable Single shot</p> 		
<p>B. Interval</p>  <p>T = set time</p>	<p>C. Asym. cyclic (OFF 1st) J. Delay on Break R. Latching Relay</p> 		
<p>C. Repeat cycle equal (OFF 1st)</p>  <p>T = set time</p>	<p>D. Asym. cyclic (ON 1st) K. Delay on Make/Break T. Delay on break with Totalise</p> 		
<p>Ci. Repeat cycle equal (ON 1st)</p>  <p>T = set time</p>	<p>E. Cycle Equal (OFF 1st) L. Interval after Break U. Interval with Totalise</p> 		
<p>t = set time delay , t1 = off time , t2 = on time</p>			
<p>D. Pulse Output</p>  <p>P = 500 msec ; T = set time</p>			

Your partners

Sales offices:

Ahmedabad

3rd Floor, Prerna Arbour
Girish Coldrinks Cross Roads, Navrangpura
Ahmedabad - 390 009
☎ : +91 79 30927600
Fax: +91 79 30927699

Baroda

Ground Floor, Urja Bhavan
Opp.Makarpura Railway Station, Maneja
Vadodara - 390 013
☎ : +91 265 3957701
Fax: +91 265 3039190

Bengaluru

1st Floor, Jyoti Mahal, No. 49, St. Marks Road
Bengaluru - 560 001
☎ : +91 80 33422000
Fax: +91 80 33424131

Bhubaneswar

Creative Plaza, 3rd Floor, Mouza Bomikhal
(Rasulgarh Square), PS Mancheswar
Bhubaneswar - 751 010, Odisha
☎ : +91 674 2581220
Fax: +91 674 2581330

Territory managers:

Aurangabad

Flat No. G1, Chanakyapuri, Phase 2
Darga Sutgirmi Road, Shanoorwadi
Aurangabad - 431001, Maharashtra
Mobile: +91 9049005024
E-mail: amey.pataskar@siemens.com

Belgaum

H.No.713, Narvekar Lane, Shahpur
Belgaum - 590003, Karnataka
☎ : +91 831 2495156
Mobile: +91 9740277991
E-mail: anand.gawade@siemens.com

Bhilai

H.No LIG-47, HUDCO Sector, Bhilai
Durg, Chattisgarh - 490 009
Mobile: +91 7869922211
E-mail: pravin.deshbhratar@siemens.com

Bhopal

Flat No-104, Sagar Home Phase-2
Sarvadhama Society, Sector A, Nayapura Road
Bhopal - 462042, Madhya Pradesh
Mobile: +91 9977228084
E-mail: prajwal.khapekar@siemens.com

Cochin

K.G.Oxford Business Centre
3A, Shreekanth Rd, Ravipuram
Cochin - 682016
☎ : +91 4028611122
Mobile: +91 9387384848
E-mail: sudheer.ts@siemens.com
Mobile: +91 9744511109
E-mail: anish.g@siemens.com

Dehradun

32, Dhronpuri, Main Lane, G.M.S. Road
Dehradun - 248001, Uttarakhand
☎ : +91 135 2528212
Mobile: +91 8650404404
E-mail: shashibhushan.prasad@siemens.com

Durg

Pancham Nivas, B-1, Zone-2, New Adarsh Nagar
Durg - 491001, Chhattisgarh
Mobile: +91 9425016197
E-mail: jitendra.potdar@siemens.com

Goa

Tower B/701-705, ICC Trade Tower
403A, Senapati Bapat Road
Pune - 411016
Mobile: +91 9496370375
E-mail: jitinh.jacob@siemens.com

Guwahati

House No. 20, Ushanagar, Dispur Supermarket
Guwahati, Assam - 781006
☎ : +91 361-2230836
Fax: +91 361-2230836
Mobile: +91 9864110684
E-mail: biplab.datta@siemens.com

Haridwar

6, Nand Puri, Near Arya Nagar Chowk
Jwalapur, Haridwar - 249407, Uttarakhand
☎ : +91 1334 251943
Mobile: +91 9897070133
E-mail: ankur.singh@siemens.com

Haridwar

47, Abhishek Nagar, Kankhal
Haridwar - 249408, Uttarakhand
Mobile: +91 9621083333
E-mail: kumar.pradeep@siemens.com

Chandigarh

SCO 188/191, 3rd Floor, Sector-17 C
Chandigarh - 160 017
☎ : +91 172 4690300
Fax: +91 172 4690399

Chennai

Sathak Centre, No.4, Mahatma Gandhi Road
Chennai - 600034
☎ : +91 44 30474000
Fax: +91 44 30474088

Coimbatore

7th Floor, Global Towers
1057, Avinash Road
Coimbatore - 641 018
☎ : +91 922 3076300
Fax: +91 922 3076310

Gurgaon

Plot No -78, Tower -B
Jagatjit Industries Building (JIL)
Opposite SBI Academy, Sector-18
Gurgaon - 122015
☎ : +91 124 2842000, 3810200

Hospet

Ramanand Residency, Flat No. 204, 1st Main
Nehru Co-op Colony, Hospet - 583203, Karnataka
Mobile: +91 9901400227
E-mail: roy.sanjib@siemens.com

Hubli

21, Sri Mallikarjuna Nilaya, 1st Floor
Somanagowdara Layout, Bengeri Extension
Hubli - 580023, Karnataka
☎ : +91 836 2282947
Mobile: +91 988003724
E-mail: kr.purushottam@siemens.com

Indore

Flat No.102, Panchavati Apart.
40 Chandralok Colony, Khajrana Road
Indore - 452001, Madhya Pradesh
Mobile: +91 9926939993
E-mail: prashant.joshi@siemens.com

Indore

Flat No-206, A Block, Shubh Labh Heights
Near Malvi Nagar Chouraha
(Near Velocity Multiplex), MR-9, Ring Road
Indore - 452001, Madhya Pradesh
Mobile: +91 9713013050
E-mail: rohit.seth@siemens.com

Jodhpur

6, Park Street, Opp. Pink City Petrol Pump, M.I.Road
Jaipur - 302 006, Rajasthan
☎ : +91 141 5152108
Fax: +91 141 2370482

Jalandhar

House No.722,1st Floor, Urban Estate
Phase I, Jalandar - 144022, Punjab
Mobile: +91 9876047929
E-mail: sunil.singla@siemens.com

Jamshedpur

Flat No. AC 17/D, 2nd Floor, Phase - 11
Adarshnagar, Sonari, Jamshedpur - 831011
Mobile: +91 9771498151
E-mail: sumit.sengupta@siemens.com

Jamshedpur

Flat No. B2/D, 9th Phase, Adarshnagar, Sonari
Jamshedpur - 831011, Jharkhand
Mobile: +91 9836311093
E-mail: sumanta.bhattacharya@siemens.com

Kanpur

Flat No. 403, Gulmohar Garden Phase II
Near Mariampur Hospital, Chain Factory
Shastri Nagar, Kanpur - 208005
Mobile: +91 8009900939
E-mail: shagun.gupta@siemens.com

Kolhapur

Flat No.101, Shrushti Mahabharat Apartment
Mahavir Garden To Mahavir College Road
Nagala Park, Kolhapur - 416003
☎ : +91 231 2663330
Mobile: +91 9881465421
E-mail: sachin.chavan@siemens.com

Kota

105, Manglayatan Apartments, Near Jain Mandir
Bhimganj Mandi, Kota - 324002
Mobile: +91 9828419111
E-mail: avinash.mathur@siemens.com

Ludhiana

H.No.92, Lajpat Nagar, Near Bus Stand
Ludhiana - 141002, Punjab
Mobile: +91 9815502480
E-mail: rohit.jagga@siemens.com

Hyderabad

5-9-19, 4th & 5th Floor, Laxmi Narasinh Estate
Opp. Secretariat Road, Saifabad
Hyderabad - 500 004
☎ : +91 40 30922500
Fax: +91 40 30923145

Jaipur

6, Park Street, Opp. Pink City Petrol Pump, M.I.Road
Jaipur - 302 006, Rajasthan
☎ : +91 141 5152108
Fax: +91 141 2370482

Kolkata

5th Floor, Infinium Digispace
CP - 15, Sector V, Salt Lake
Kolkata - 700091
☎ : +91 33 30171911
Fax: +91 33 30171328

Lucknow

28/45, Ashok Marg, Opp. Indira Bhawan
Lucknow - 226001
☎ : +91 522 4031022, 4031000
Fax: +91 522 4031019

Ludhiana

H.No. D-29, New Kitchlu Nagar, Ludhiana
Mobile: +91 9878098612
E-mail: amitoj.singh@siemens.com

Ludhiana

R-125 Sarabha Nagar Extension
Phase-2, Pakhowal Road, Ludhiana, Punjab
Mobile: +91 9888484066
E-mail: padam.sharma@siemens.com

Madurai

Anirudh Block, F-Top 3, Vasudhara Apartment
84, TPK Main Road, Andalpuram
Madurai - 625 003, Tamil Nadu
Mobile: +91 9894617776
E-mail: sivaprakasam.r@siemens.com

Mangalore

No. 3, Shreyas Apartment Chandrika Extension
NS Bose Road, Bejai, Mangalore - 575004
Mobile: +91 9632835364
E-mail: joseph.arun@siemens.com

Meerut

H-334, Shastri Nagar, Meerut - 250001
Mobile: +91 9837049091
E-mail: pankaj.chopra@siemens.com

Mysore

#43, Ground Floor, 8th Cross, 3rd Main
1st Stage, "C" Block, J.P. Nagar, Mysore - 570008
Mobile: +91 9900855779
E-mail: niranjan.kv@siemens.com

Nashik

1, Nirman Classic Apartment, Thathe Nagar
Behind HDFC Bank, Nasik - 422005
Mobile: +91 9822193204
E-mail: shalesh.bakshi@siemens.com

Nashik

Building No.1, Flat No.15, Tirupati Town
Near Akashwani Tower, Gangapur Road
Nashik - 422013
Mobile: +91 9619620068
E-mail: jugal.shah@siemens.com

Patna

Flat No. 105, S.D. Apartment, Kavi Raman Path
Nageshwar Colony, Boring Road, Patna - 800001
Mobile: +91 9771414108
E-mail: vikash.prasad@siemens.com

Pondicherry

"Raghavendra ILLAM", Gnd Floor, No 21
3rd Cross Street, Anna Nagar, Pondicherry - 605005
Mobile: +91 9840143536
E-mail: lakshmanan.s@siemens.com

Raipur

103 Risabh Regency, Near Shri Medishine Hospital
New Rajendra Nagar Raipur (C G) - 492006
Mobile: +91 9425601849
E-mail: raghuraj.bisen@siemens.com

Rajkot

"Vrujraj", Chandanpark Society
Opp. Gyanganga Vidhyapith, Nr. Raiya Circle
Rajkot - 360005, Gujarat
Mobile: +91 9825021026
E-mail: hiren.raythatha@siemens.com

Rourkela

Plot No. LCR 618, 1st Phase Chhend
Rourkela - 769015
Mobile: +91 9438529778
E-mail: samir.chintak@siemens.com

Mumbai

Business Centre-1
Thane Belapur Road, Thane - 400 601
☎ : +91 22 39663000
Fax: +91 22 39663721

Nagpur

5th Floor, Land Mark Building
Wardha Road, Ramdas Peth
Nagpur - 440 010
☎ : +91 712 3093000
Fax: +91 712 3093111

Pune

Tower B/701-705, ICC Trade Tower
403A, Senapati Bapat Road
Pune - 411016
☎ : +91 20 30466000
Fax: +91 20 30466060

Vishakhapatnam

2nd Floor, 30-8-47, Lakshmi Narasimha Towers
Banu Street, Daba Gardens
Visakhapatnam - 530 020, Andhra Pradesh
☎ : +91 891 3050200
Fax: +91 891 3050222

Rudrapur

Flat No. 63, Tower H8, Metropolis City
Nainital Road, Rudrapur - 263153, Uttarakhand
Mobile: +91 9720999887
E-mail: singh.vineet@siemens.com

Salem

3/25, Santosh Nagar, PACB Backside
Chinnathirupathi, Salem - 8
☎ : +91 427 2401981
Mobile: +91 9894617772
E-mail: rubengerald.s@siemens.com

Surat

Flat No. 202, D-1, Suryam Residence
Cause Way Road, Opp. Hari Darshan
Shinganpor-Dabholi Road, Katargam
Surat - 395004, Gujarat
Mobile: +91 9925001779
E-mail: chandrakant.keshrani@siemens.com

Surat

3/A, Navrachana Society
Opp.D.K.Park, Bharat Road, Surat - 395001
Mobile: +91 9879510191
E-mail: mitul.kapadia@siemens.com

Trichy

11/209-B, 6th Cross Street, West Extension
Vasan Nagar, Rettai Vaikkal, Vayalur Road
Trichy - 602102
Mobile: +91 9176609375
E-mail: muthu.kumar@siemens.com

Trivandrum

7th Floor, Global Towers
1057, Avinash Road, Coimbatore - 641 018
Mobile: +91 9387384848
E-mail: sudheer.ts@siemens.com

Udaipur

26-B, Amrudon Ki Badi, Near Ambamata Mandir
Udaipur - 313 001 (Rajasthan)
☎ : +91 294 2430345
Mobile: +91 9829039120
E-mail: ajit.parashar@siemens.com

Vapi

Flat No.401, A Wing, Madhav Gems, Nutannagar
Valsad Road, Vapi (East), Valsad Dist, Vapi - 396191
Mobile: +91 9687668690
E-mail: pandey.abhishek@siemens.com

Vapi

Shubham Tower, No.3, 'C' Wing
Flat No.1008, Chala, Vapi Daman Road, Vapi
Mobile: +91 9825147957
E-mail: s.anand@siemens.com

Varanasi

D 63/12B - 13-14-15
Dayal Enclave Mahmooorganj
Varanasi - 221010
Mobile: +91 9794237349
E-mail: tarun.srivastava@siemens.com

Vijayawada

D. 20-6-164C, Street 4, Ramlingeshwaraopeta
Landmark: Near to Lotus Landmark
Vijayawada - 520003
Mobile: +91 9642351144
E-mail: venkateswar.d@siemens.com

Siemens Ltd.
Industry Sector
Control Products
R&D Technology Centre
Kalwa Works, Thane Belapur Road
Thane - 400 601
Fax: +91 22 33265627
E-mail: lvsgr-mktg.india@siemens.com

www.siemens.co.in

Order No.: 105958534
SGR-03PC-1113

Customer Care Toll free no.
180022 0987 / 1800 209 0987
Email: ics.india@siemens.com

Product upgradation is a continuous process. Hence, data in this catalog is subject to change without prior notice. For the latest information, please get in touch with our Sales Offices.