

features

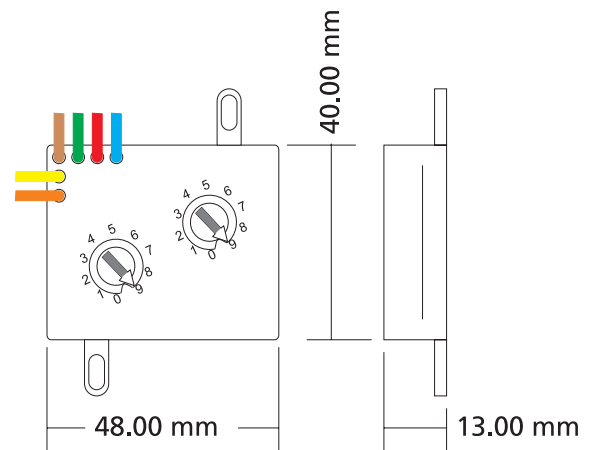
- Built-in type identification automatically identifies this device as a monitor module to the control panel
- No additional power required
- High noise (EMF/RFI) immunity
- Tinned, stripped leads ease of wiring
- Direct dial entry of DECADE address (01-99)

The Morley-IAS micro monitor module is used in conjunction with the ZX series intelligent multi protocol fire alarm control panels, provides an interface between the normally-open contact alarm initiating devices. Though the module can be used to monitor an entire zone circuit, it is ideally suited for monitoring single devices. The module is small enough to fit inside a single-gang junction box behind the device being monitored. The small size and lightweight allow it to be installed without the need to be rigidly mounted.

Used to monitor a single device or a zone of 4-wire smoke detectors, manual call points or pull stations, waterflow devices, or other normally open dry-contact devices. A 47K Ohm end-of-line resistor (provided) terminates the circuit. Controls include two rotary switches for direct dial entry of DECADE address (01-99). Each module uses one of 99 available module addresses on loop. It responds to regular polls from the control panel and reports its type and the status (open/normal/short) of its zone.

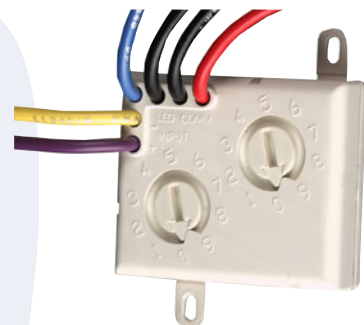
mechanical

Dimensions (HxWxD) :	40 x 48 x 13 mm
Weight:	33 gr. (1 oz)
Operating temperature:	-10°C to 60°C
Relative humidity:	10% to 93% non-condensing



Charles Avenue, Burgess Hill
West Sussex, RH15 9UF
United Kingdom

Tel: +44 (0) 1444 23 55 56
Fax: +44 (0) 1444 25 44 10
Email: sales@morleyias.co.uk
www.morley-ias.co.uk



Morley-IAS Micro Monitor Module

Data Sheet

177(0102)

electrical

Operating voltage:	15 to 32 Vdc
Stand-by current:	375 μ A (24 Vdc) maximum
Alarm current:	5.1 mA (24 Vdc) LED on
Supervisory loop:	
Normal	100 μ A
Short	150 μ A

approvals



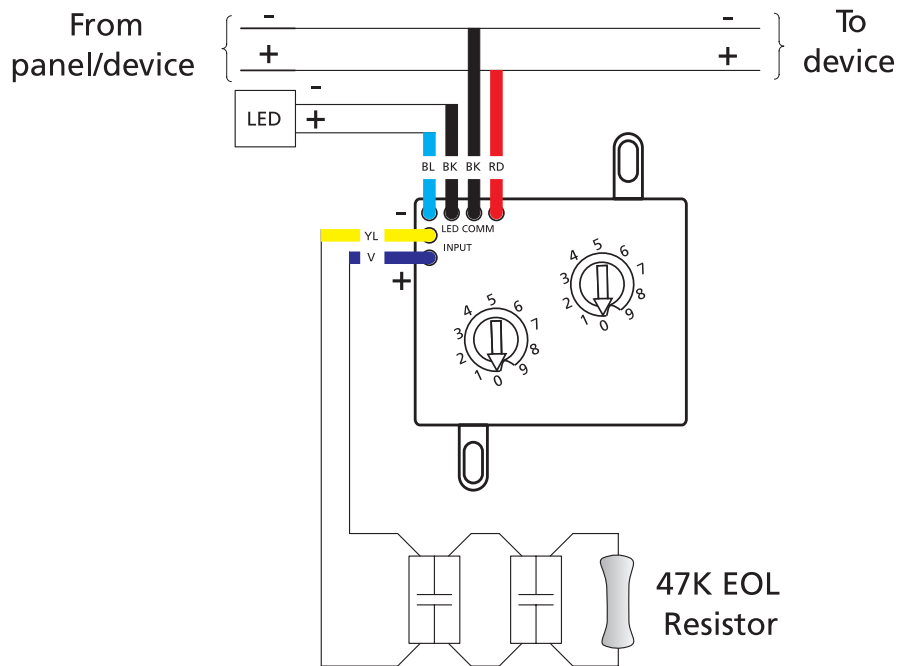
REF:199e/01

part numbers

EN54

MI-MM3E

Micro module



Your Local Distributor