

SIEMENS



LV HRC Fuses: DIN Type

Geared up for any situation

Answers for Infrastructure.

Fuses are the fastest & simplest current limiting devices. With a wide current range, multiple voltage ratings and high short circuit strength, Siemens 3NA fuses are perfectly equipped for overcurrent

protection in buildings & industries. The unique combi- indication enables the user to view the fuse status, easily, even from a distance. With Siemens fuses, protection is easy, safe and reliable.



www.siemens.co.in

Introduction

Short data description : 3NA7 LV HRC Fuses

Standards	IS 13703 Part 2 Section 1(1993); IEC 60269-2
Dimensions	IS 13703; IEC 60269-2
Operating class	gG
Rated Voltage	AC 500V* / DC 440V upto 630A (DC 250V for size 00)
	AC 690V/DC 440V (DC 250V for size 00)
Rated Current Range	2A-800A, AC 500V
	40A-500A, AC 690V
Rated Breaking Capacity	AC 120kA / DC 25kA
Mounting position	as desired but preferably vertical
Resistance to climate	-30°C to +50°C at 95% relative humidity

LV HRC Fuses

During installations, when the HRC Fuses are mounted on the fuse bases or Switch Disconnecter Fuse Units in panels above certain height, it is very difficult to identify the status of the fuse link; whether healthy or blown. This necessitates requirement of additional front indication.

The combination indicator Fuse has two indicators as against one used in conventional fuses. One indicator is on top cover plate similar to conventional fuses and other indicator is at the centre of the ceramic body of the fuse link. **This helps in clear identification of status of fuse also from the front.**

3NA7 LV HRC Fuses are available in 4 different sizes from 2 to 400A. The Size 3 fuses (315A -800A) continue to be with single indicator on top. The main part of the LV

HRC fuse is the fuse element of high-grade copper. The important factors for conductivity are the resistance value per meter, the material thickness and the dimensional accuracy. Three important criteria in the production of the fuse elements are:

- Accurate cutting and punching
- Precise application of the solder deposit
- Accurate and concentric insertion of the fuse-element in the fuse body.

Where several fuse elements are involved, these are fitted exactly parallel to each other in the fuse body. This ensures adequate cooling of the individual arcs. The precision of the parallel arrangement can be verified by observing the beads of molten metal after the fuse has responded to short circuit. The fuse-element must not be too close to the wall of

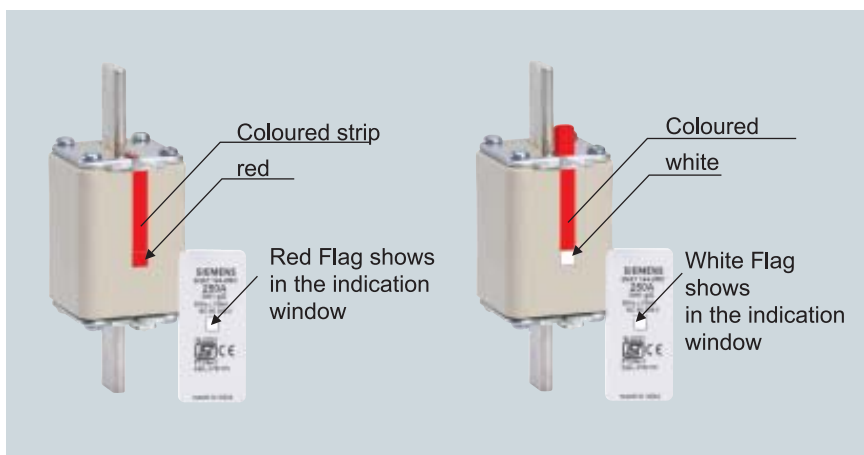
the fuse body or otherwise there will be no protective layer of sand. If the arc were to touch the wall of the fuse body, the fuse might burst or blow.

The fuse elements of 3NA7 & 3NA3 fuses are of operating class gG. The use of silver-plated or pure silver fuse-elements is not required for physical reasons.

Oxidation, also called scaling of copper, reduces the cross-section of the fuse-element. This occurs only at a temperature of approx. 350°C. In the time/current range within which a fuse operates, however, only temperatures of 180°C to 240°C are attained. Hence safe tripping is ensured with this fuse element.

Advantages

- High quality of fuse
- Less stresses to downstream equipments during short circuit due to lower let through current
- Low power losses resulting in high economy and minimal heating.
- Safe and reliable breaking capacity from the smallest overload upto the largest short-circuit current.
- Finely graded selectivity level for the optimum use of cable cross sections
- High resistance to ageing
- Constant characteristics even under different temperature conditions



* 400A (Size II) and 800A, are rated at 415V AC

Applications

Fuses are primarily used for the protection of cables and conductors against overload and short-circuit currents, and are also suitable for the protection of equipment. Some of the important applications are:

- Use in radial and ring networks with high selectivity
- For back-up protection of MCBs
- For protection of motor circuits in which operational short-term overloads and short-circuits occur
- Short circuit protection for switching devices such as contactors and circuit-breakers

The field of application for fuses include industrial installations, power supply utilities, equipment manufacturers, switchboards and control panels.

Selectivity

In an installation, as a rule, several fuses are connected in series. Selectivity ensures that in an emergency, only the faulty circuit is disconnected, and not the entire operation. Siemens fuses with operating class gG for a rated voltage up to ~230V are mutually selective in the ratio 1:1.25. This is due to the much lower tolerance range, $\pm 5\%$ of the time/current characteristics curve. The standard requires a ratio limit of 1:1.6, which our fuses clearly exceed. The cable sizes due to the smaller rated currents can also be reduced.

Breaking capacity

The fuses distinguish themselves with their high rated breaking capacity of at least 120kA which is achieved through:

- Fuse element design and the manufacturing process
- Precise positioning of fuse element inside the fuse body
- Chemical purity, grain size and density of the quartz sand
- Resistance to pressure and temperature change on the ceramic fuse body

The basic requirements and circuit data for the testing, i.e. voltage, load factor, switching angle etc. are detailed in the international (IEC 60269) standards and Indian standard IS 13703.

Current limitation

Along with a reliable rated breaking capacity, the let through current of fuse links can also have a significant influence on the economy of an installation.

During the interruption of a short-circuit by a fuse, the short-circuit current also flows through the upstream fuses. The short-circuit current is limited by the network impedance.

By the simultaneous melting of all narrow parts of the fuse element, partial electrical arcs assure quick breaking with greater current limitation. The current limitation is therefore, influenced substantially by the quality of manufacturing.

This strong current limiting property of 3NA7 protects the system for excessive loads.

Co-ordination for cable and line protection

To ensure co-ordination of fuses with respect to cable and line protection during overload, according to DIN 0100 part 430, the following conditions apply:

$$(1) I_B \leq I_N \leq I_z \text{ (Nominal current range)}$$

$$(2) I_2 \leq 1.45 \times I_N \text{ (Tripping range)}$$

I_B : Operating current of the circuit

I_N : Nominal current of selected protective device

I_z : Permissible current loading capacity at given operating conditions for the cable or line

I_2 : Tripping current of the protective device under determined conditions (large test current)

The factor 1.45 is an internationally accepted agreement between utilisation and level of protection for a conductor, when considering the disconnection limits and the possible protective device (e.g. fuses).

Co-ordination for cable and line protection

Siemens fuse links of the operating class gG completely conform to the supplementary part of the standard IEC 60269, the condition being:

“Disconnection with $I_2 = 1.45 \times I_N$ for the conventional continuous test under the particular test requirements according to the named supplementary part of standard IEC 60269”.

A direct co-ordination is therefore possible.

Rated watt loss

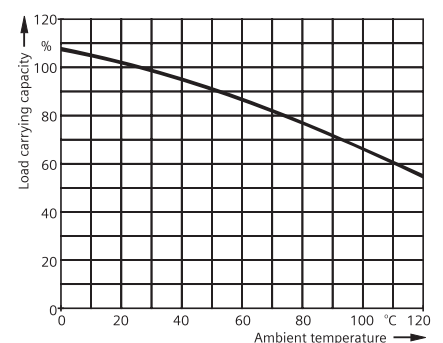
The economy of a fuse depends considerably on the rated watt loss. This should be kept as low as possible by minimal self-heating. Siemens fuses, considering their high breaking capacity, have rated power losses kept as low as possible.

These values lie far below the limits specified in the standards. That means minimal heating, reliable breaking capacity and high economy.

Load carrying capacity at higher ambient temperatures

Testing according to IEC 60269

According to IEC 60269, the shape of the time / current characteristic of LV HRC fuse links is referred to an ambient temperature of $20^\circ\text{C} \pm 5\%^\circ\text{C}$. When being used at a higher ambient temperature (see diagram), a lower load carrying capacity should be anticipated. For example, at an ambient temperature of 50°C , a LV HRC fuse link should be loaded with only 90% of the rated current. The short-circuit behaviour is not affected by a high ambient temperature.






Selection & Ordering Data

LV HRC fuses : 500V AC

LV HRC fuse links

- According to IEC 60269/IS 13703
- Rated voltage (AC): 500V *
- Rated voltage (DC): 440V, upto 630A (250V for size 000/00)
- Utilization Category gG
- Rated breaking capacity: 120kA (AC), 25kA (DC)

	Size	Rating A	Order No.	Weight per unit kg
	000	2	3NA7 802-0RC	0.125
		4	3NA7 804-0RC	
		6	3NA7 801-0RC	
		10	3NA7 803-0RC	
	000	16	3NA7 805-0RC	0.125
		20	3NA7 807-0RC	
		25	3NA7 810-0RC	
		32	3NA7 812-0RC	
	000	40	3NA7 817-0RC	0.125
		50	3NA7 820-0RC	
000	63	3NA7 822-0RC	0.125	
	80	3NA7 824-0RC		
00	100	3NA7 830-0RC	0.190	
	125	3NA7 832-0RC		
	1	160	3NA7 836-0RC	0.270
		50	3NA7 120-0RC	
		63	3NA7 122-0RC	
		80	3NA7 124-0RC	
		100	3NA7 130-0RC	
		125	3NA7 132-0RC	
	1	160	3NA7 136-0RC	0.450
		200	3NA7 140-0RC	
		224	3NA7 142-0RC	
		250	3NA7 144-0RC	
2	2	200	3NA7 240-0RC	0.475
		250	3NA7 244-0RC	
	2	315	3NA7 252-0RC	0.670
		*400	3NA7 260-0RC	
	3	315	3NA3 352-0RC	1.040
		400	3NA3 360-0RC	
		500	3NA3 365-0RC	
		630	3NA3 372-0RC	
		*800	3NA3 375-4RC	



* 400A (Size II) and 800A, are rated at 415V AC

Selection & Ordering Data

LV HRC fuses : 690V AC

LV HRC fuse links

- According to IEC 60269/IS 13703
- Rated voltage (AC): 690V
- Rated voltage (DC): 440V, (250V for size 00)
- Utilization Category gG
- Rated short circuit breaking capacity: 120kA (AC), 25kA (DC)

	Size	Rating A	Order No.	Weight per unit kg
	000	2	3NA7 802-6	0.122
		4	3NA7 804-6	0.130
		6	3NA7 801-6	0.122
		10	3NA7 803-6	0.124
		16	3NA7 805-6	0.123
		20	3NA7 807-6	0.128
		25	3NA7 810-6	0.120
		32	3NA7 812-6	0.128
	00	35	3NA7 814-6	0.129
		40	3NA7 817-6RC	0.190
		50	3NA7 820-6RC	
		63	3NA7 822-6RC	
		80	3NA7 824-6RC	
	100	3NA7 830-6RC		
1	125	3NA7 132-6RC	0.270	
	160	3NA7 136-6RC	0.270	
	200	3NA7 140-6RC	0.450	
2	250	3NA7 244-6RC	0.670	
	315	3NA7 252-6RC		
3	400	3NA3 360-6RC	1.040	
	425	3NA3 362-6RC		
	500	3NA3 365-6RC		
				

Selection & Ordering Data

LV HRC Fuse Bases





Fuse bases are available in four different ratings corresponding to different sizes of fuse links. They consist of an insulated base on which lyra contacts are fixed. Fuse links can be removed under live conditions. The fuse bases can be supplied either with screw terminals or plug in terminal connection.

The fuse bases are manufactured in accordance with IEC 269 & IS 13703

Rated voltage : AC 690V/DC 440V

Special Characteristics :

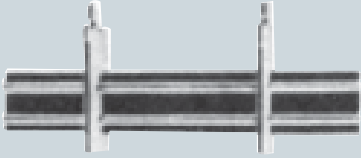
- Low contact resistance due to silver plated lyra contacts
- Easy handling due to special shape of lyra contacts
- Constant contact pressure ensures reliable current conduction

		Conductor - cross section upto mm ²	Order No.	Weight per unit kg
	<ul style="list-style-type: none"> • Size 00 Rated current 160A (Suitable for fuselink of size 000/00) Single pole 			
	With screw in connection	95	3NH3 030	0.145
	With plug-in connection	6 to 70	3NH3 032	0.145
	<ul style="list-style-type: none"> • Size 1 Rated current 250A 			
	Single pole With screw in connection	150	3NH3 230	0.390
	<ul style="list-style-type: none"> • Size 2 Rated current 400A 			
	Single pole With screw in connection	300	3NH3 330	0.420
	<ul style="list-style-type: none"> • Size 3 Rated current 630A 			
	Single pole With screw in connection	2x40x5	3NH3 430	0.680
	<ul style="list-style-type: none"> • Size 3 Rated current 800A Single pole With screw in connection 	2x40x5	3NH3 430-4RC	0.720

Selection & Ordering Data




Isolating Links

Together with fuse bases, these isolating links can effectively be used to serve as removable links in feeders instead of isolators. These are made of silver plated copper alloy in one piece and are similar in construction to the ribbed contact knife of the fuse link.

	Rating	Order No. (Nos.)	Weight per unit (Kg)
	160	3NG1 000	0.075
	250	3NG1 250	0.175
	400	3NG1 300	0.260
	630	3NG1 400	0.280




Fuse Pullers

Fuse puller with special insulated handle makes it possible to change fuses even under live conditions (on load). A mechanical lock provided on the fuse puller prevents the fuse link from dropping out the puller. The fuse link can be released by merely pressing the push button provided on a fuse puller.

Fuse Puller	Order No. Unit	Weight per unit (Kg)
 3NX1 010	3NX1 010	0.205
 3NX1 011	3NX1 011	0.560
 3NX1 014	3NX1 014	0.480
Fuse Puller Type 3NX1 010, 3NX1 011, 3NX1 014 suitable for all sizes of fuse links and isolating links.		

3NX1 Signal Detector Link NEW

3NX1 signal detector links are used for the remote indication of the fuse status (whether fuse has blown or not). These links are to be used with fuses having non-insulated grip lugs.

	MLFB	Description	Fuse Size	Weight per unit (Kg)
	3NX1021	<ul style="list-style-type: none"> Rated voltage upto 690V AC/600V DC Contact: Microswitch 250V AC, 6A 	000-4	0.036
	3NX1022* 3NA1023*	<ul style="list-style-type: none"> Response voltage > 9V AC, 2.5A Response voltage >2V; 7A 	000-4	0.015 0.015
	3NX1024	<ul style="list-style-type: none"> Rated voltage upto 690V AC/600V DC Contact: Microswitch 230V AC, 6A 	000-2	0.010

* To be used with 3NX1021

Characteristic Curves

LV HRC Fuse Links

Time-current characteristic chart

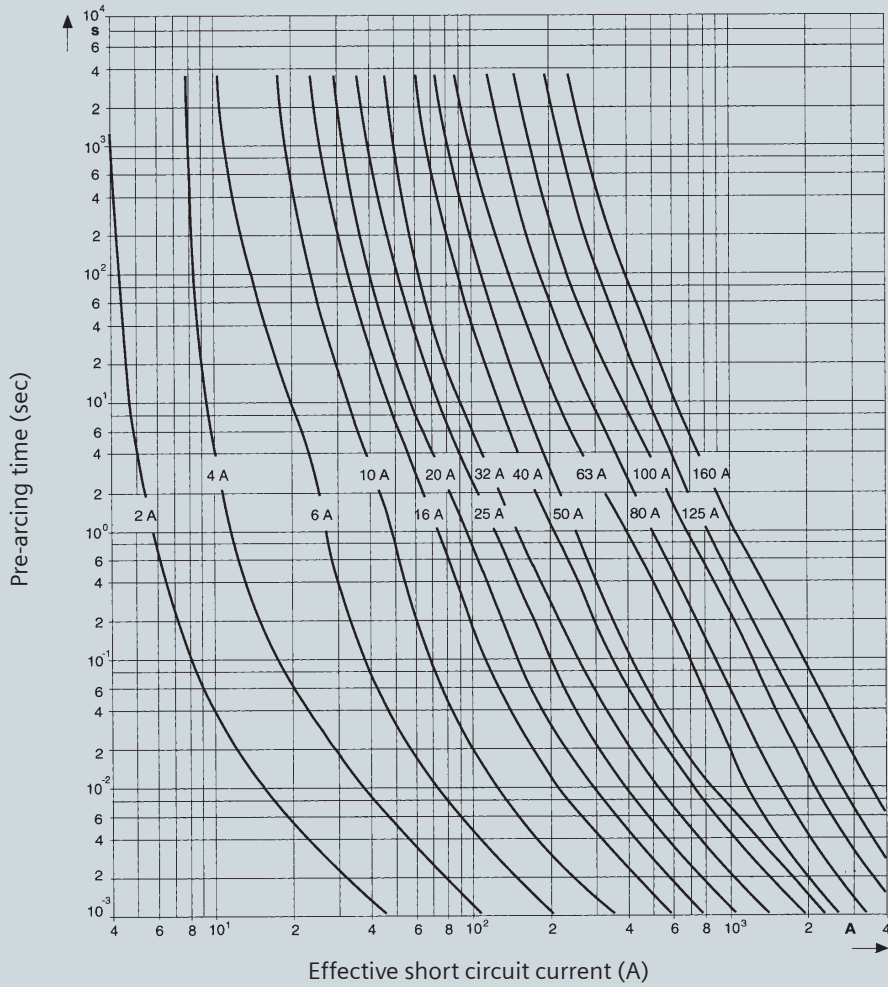
Range
3NA7 8

Size
000/00

Operating class
gG

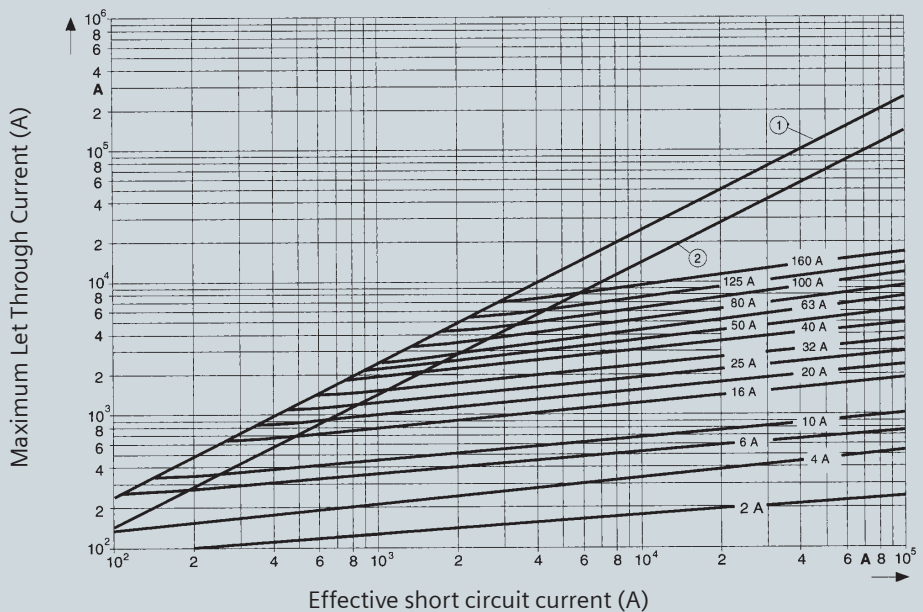
Rated voltage
AC 500V / DC 250V

Rated current
2 - 160A



Peak let-through current chart

- ① Peak short circuit current with maximum DC component
- ② Peak short circuit current without DC component



Characteristic Curves

LV HRC Fuse Links

Time-current characteristic chart

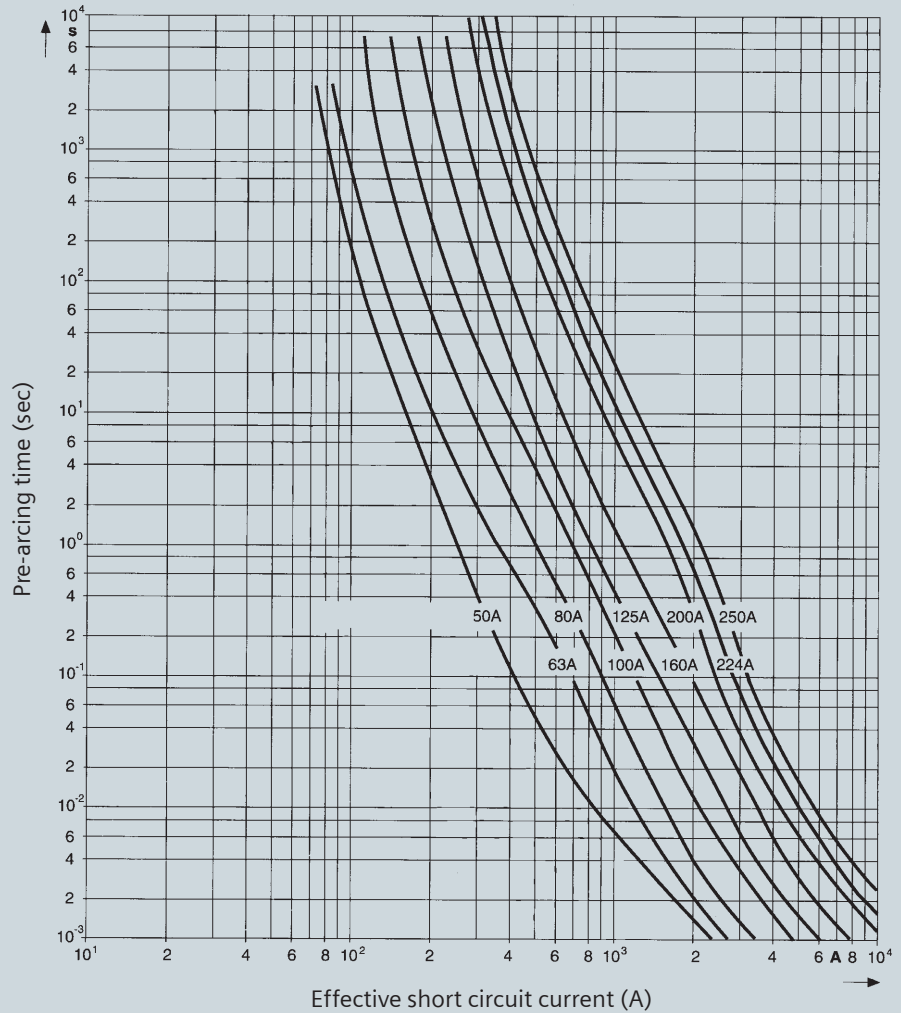
Range
3NA7 1

Size
1

Operating class
gG

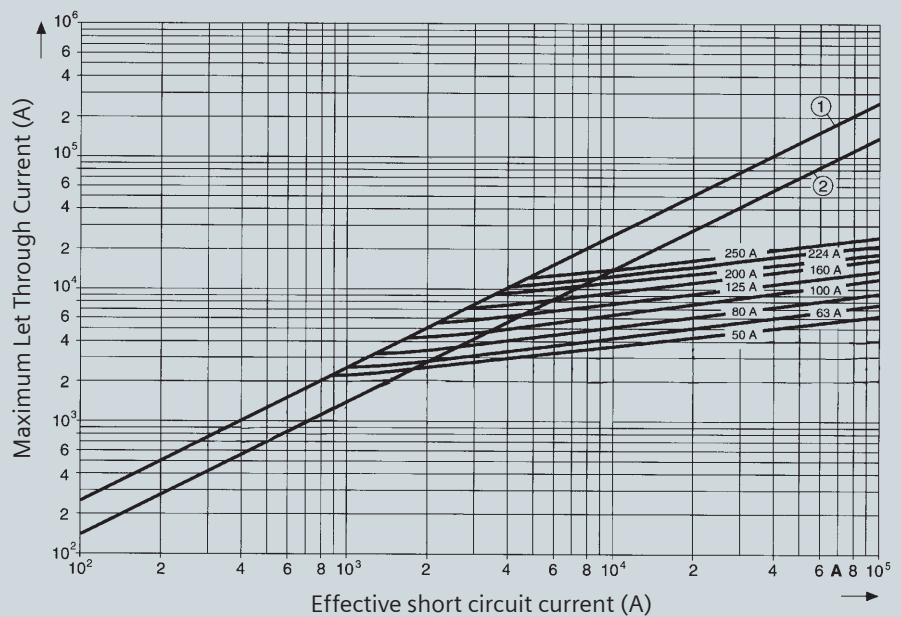
Rated voltage
AC 500V / DC 440V

Rated current
50 - 250A



Peak let-through current chart

- ① Peak short circuit current with maximum DC component
- ② Peak short circuit current without DC component



Characteristic Curves

LV HRC Fuse Links

Time-current characteristic chart

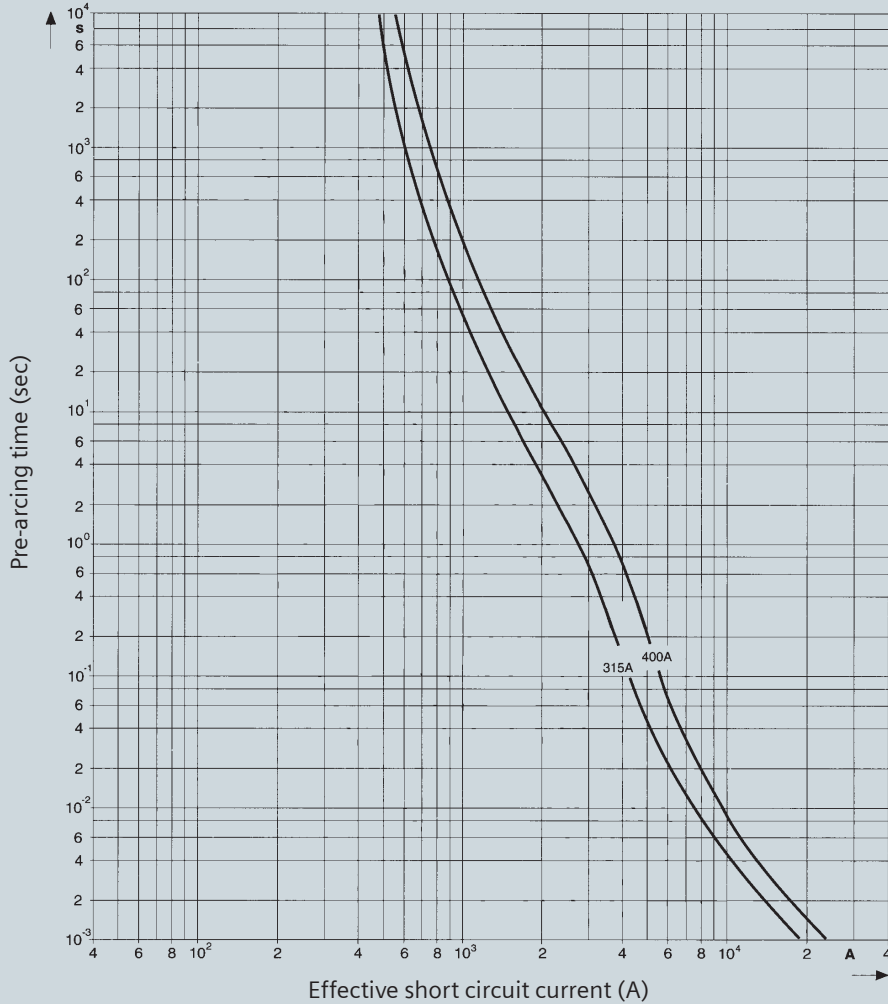
Range
3NA7 2

Size
2

Operating class
gG

Rated voltage
AC 500V* / DC 440V

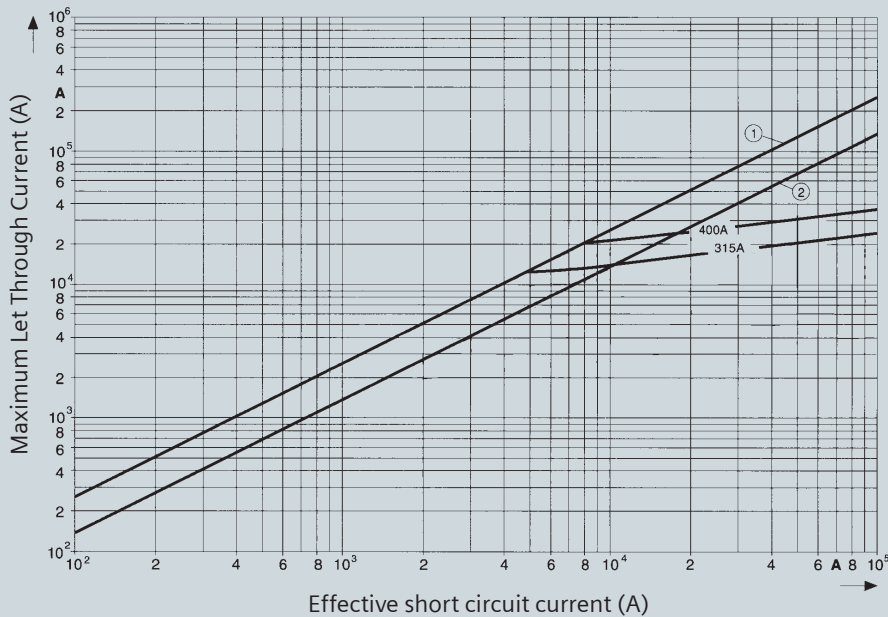
Rated current
315 - 400A



* 400A rated at 415V AC

Peak let-through current chart

- ① Peak short circuit current with maximum DC component
- ② Peak short circuit current without DC component



Characteristic Curves

LV HRC Fuse Links

Time-current characteristic chart

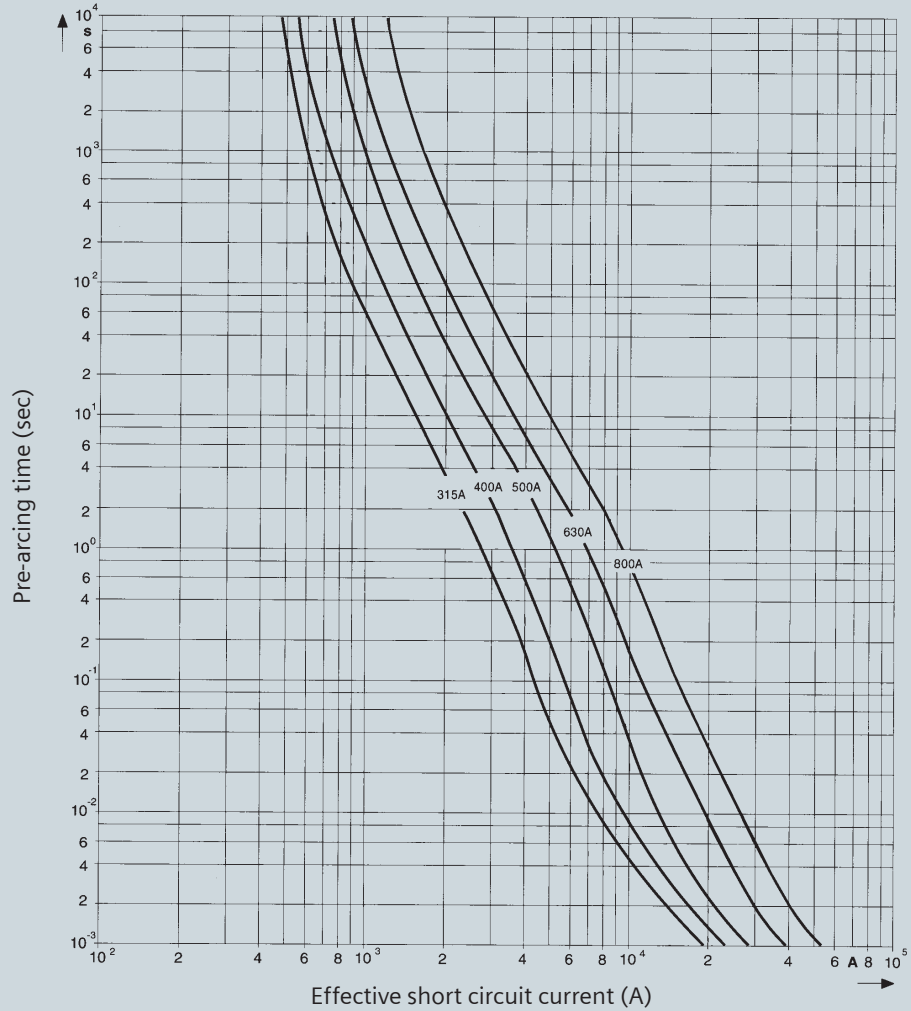
Range
3NA3 3

Size
3

Operating class
gG

Rated voltage
AC 500V* / DC440V

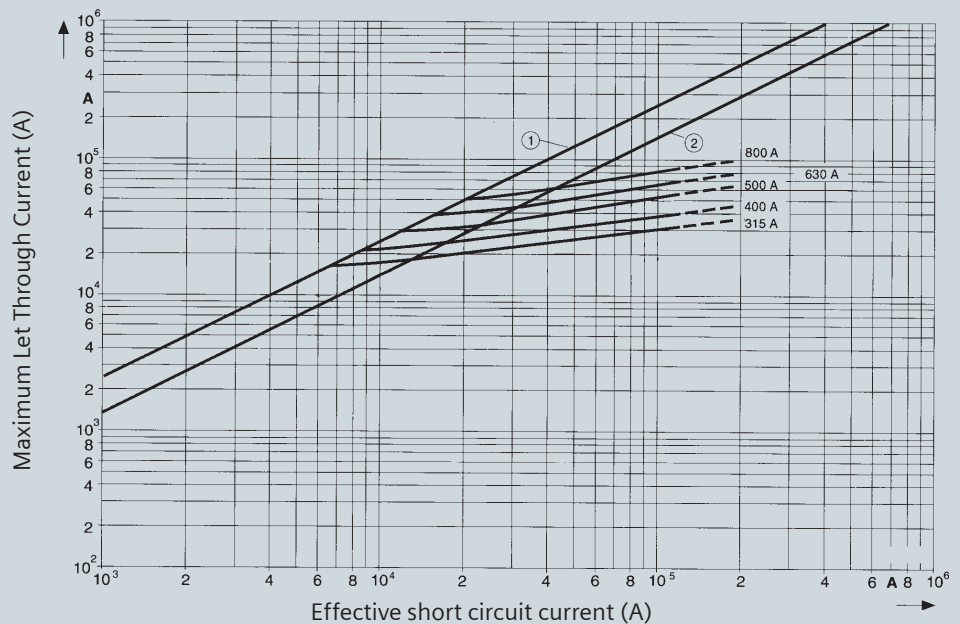
Rated current
315 - 800A



* 800A rated at 415V AC

Peak let-through current chart

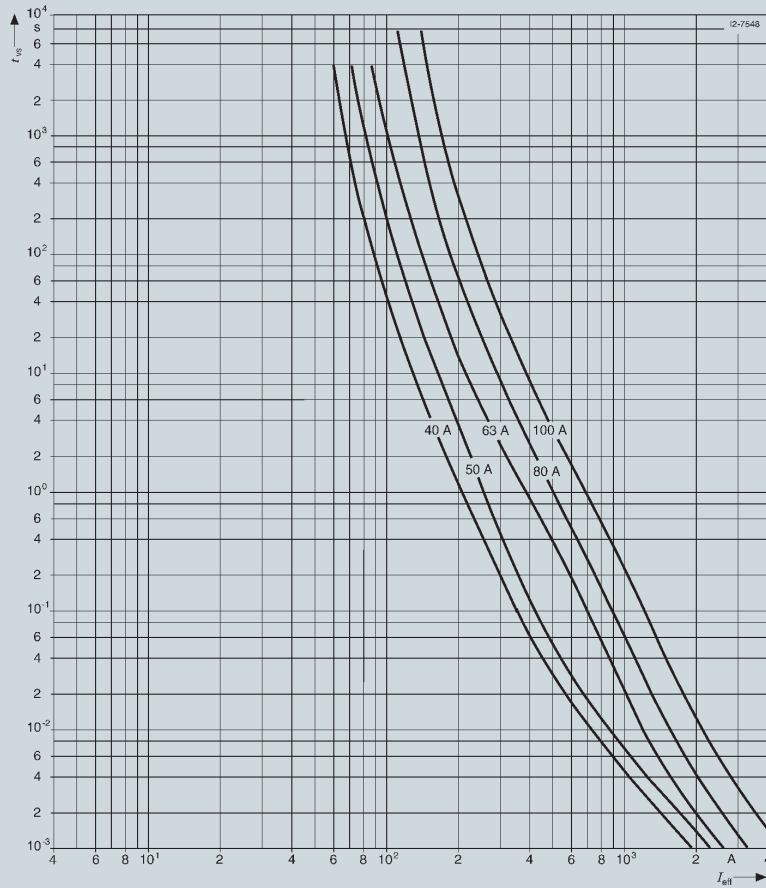
- ① Peak short circuit current with maximum DC component
- ② Peak short circuit current without DC component



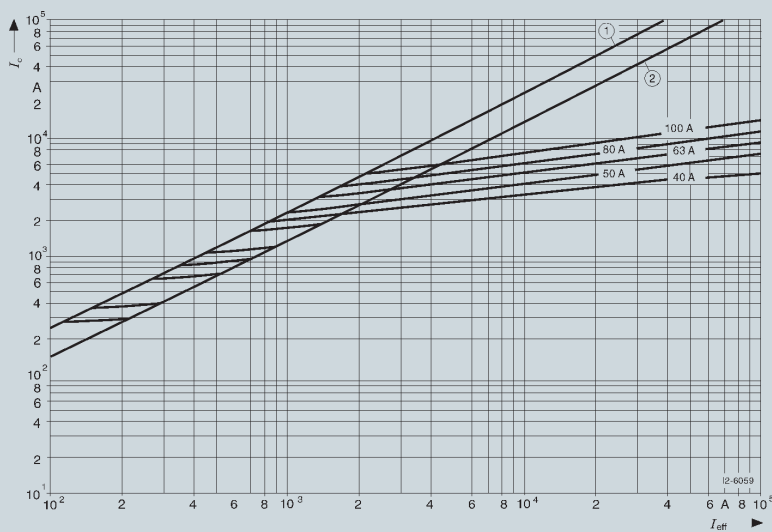
Characteristic Curves

Series : 3NA7 8..-6
Size : 00
Operational class : gG
Rated Voltage : 690V AC/250V DC
Rated current : 40... 100A

Time / current characteristics curves diagram



Current limitation diagram

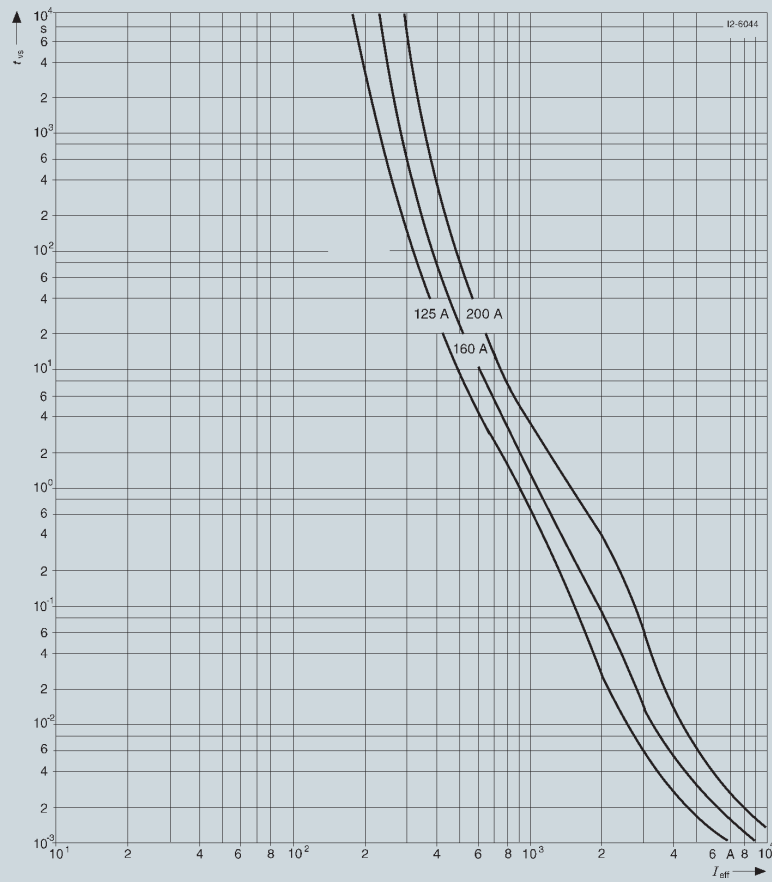


- ① Peak short circuit current with maximum DC component
- ② Peak short circuit current without DC component

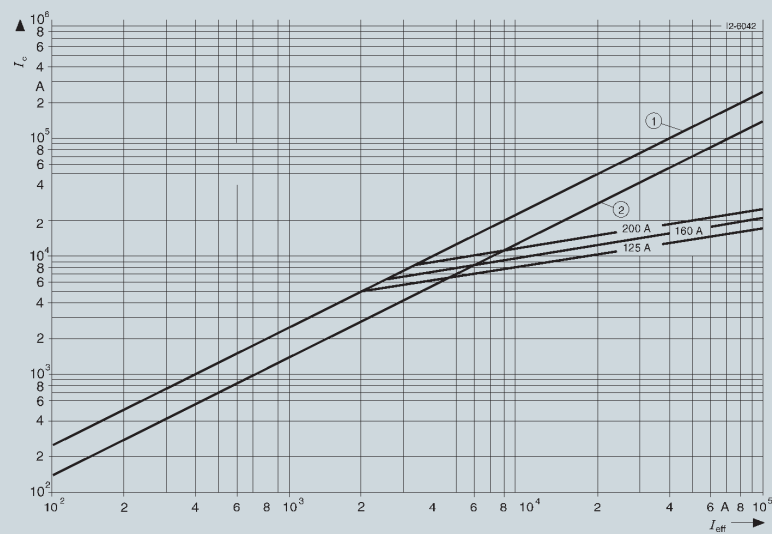
Characteristic Curves

Series : 3NA7 1..-6
Size : 1
Operational class : gG
Rated Voltage : 690V AC/440V DC
Rated current : 125... 200A

Time / current characteristics curves diagram



Current limitation diagram

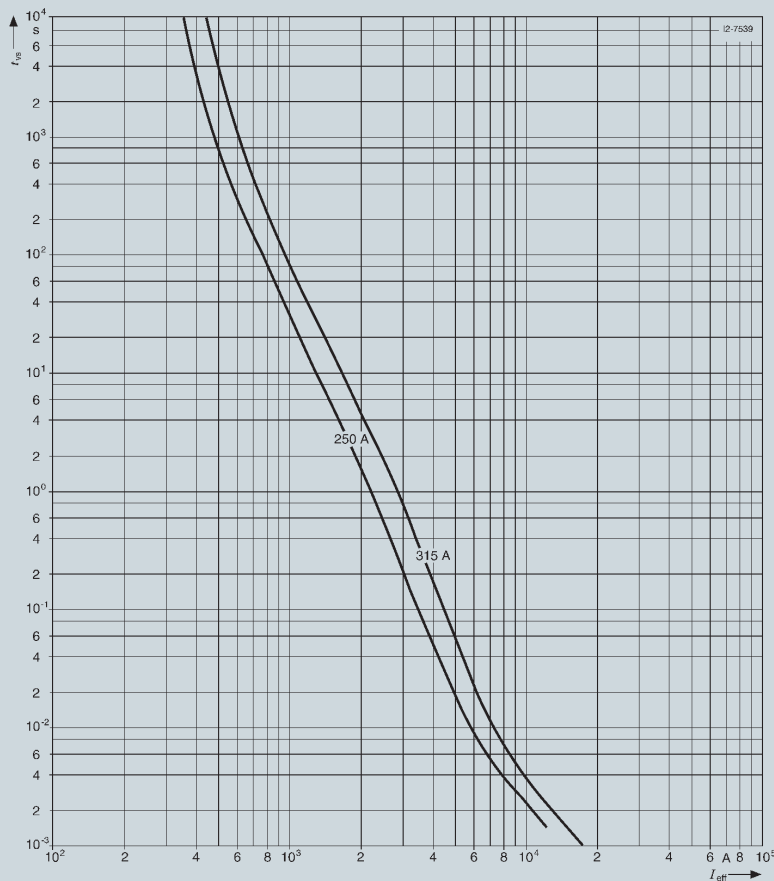


- ① Peak short circuit current with maximum DC component
- ② Peak short circuit current without DC component

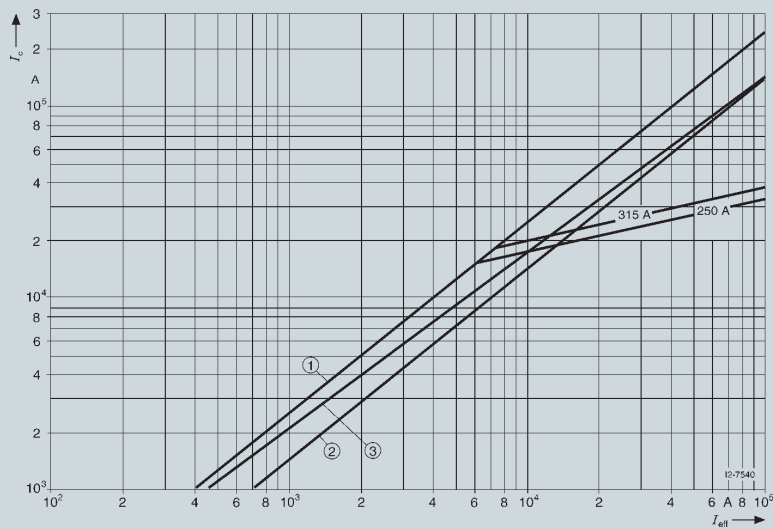
Characteristic Curves

Series : 3NA7 2..-6
Size : 2
Operational class : gG
Rated Voltage : 690V AC/440V DC
Rated current : 250... 315A

Time / current characteristics curves diagram



Current limitation diagram

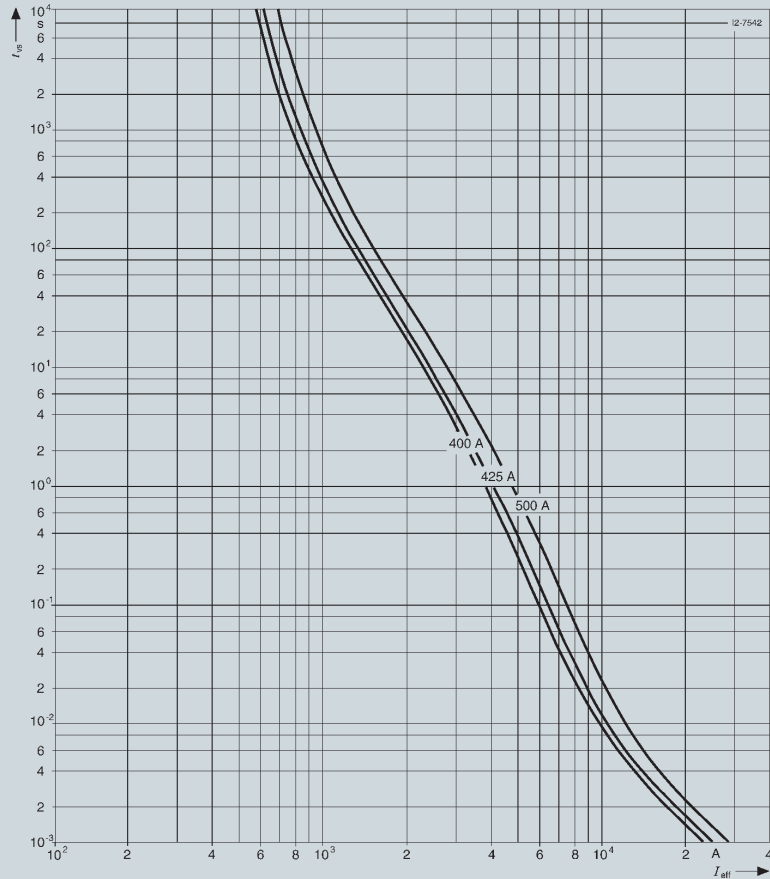


- ① Peak short circuit current with maximum DC component
- ② Peak short circuit current without DC component

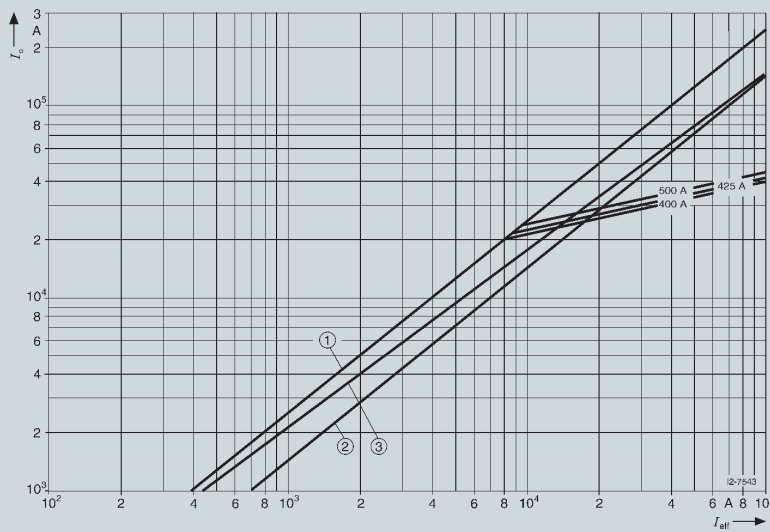
Characteristic Curves

Series : 3NA3 3..-6
Size : 3
Operational class : gG
Rated Voltage : 690V AC/440V DC
Rated current : 400... 500A

Time / current characteristics curves diagram

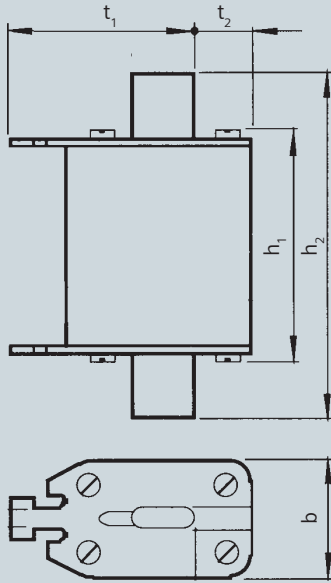


Current limitation diagram



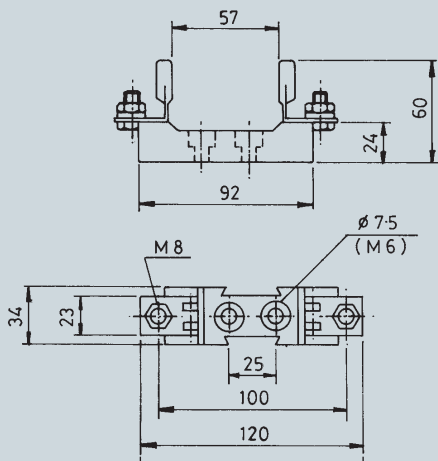
- ① Peak short circuit current with maximum DC component
- ② Peak short circuit current without DC component

Dimensions

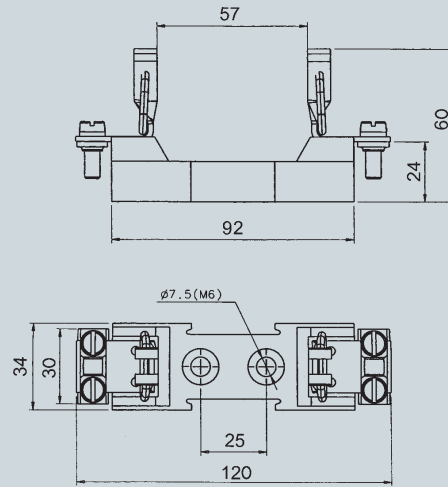


Sizes	Rating	MLFB	b	h_1	h_2	t_1	t_2
000	2A - 100A	3NA78...	21	54	80	45	8
00	125A - 160A	3NA78...	30	54	80	45	14
1	50A - 160A	3NA71...	30	75	137	50	15
1	200A - 250A	3NA71...	47	75	137	51	9
2	200A - 250A	3NA72...	47	75	151	58	10
2	315A - 400A	3NA72...	58	74	151	59	13
3	315A - 800A	3NA33...	71.2	74	151	69.5	12.8

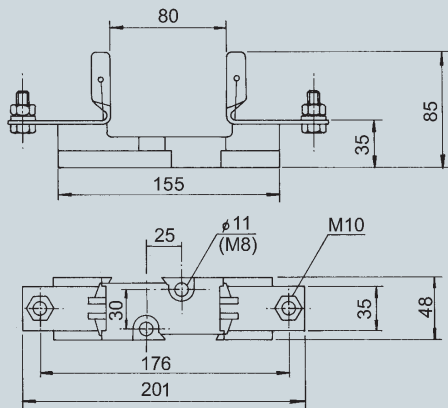
3NH3 Fuse Bases



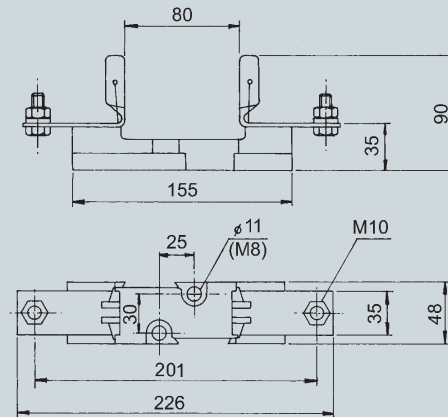
3NH3 030 (Size 00)



3NH3 032 (Size 00)



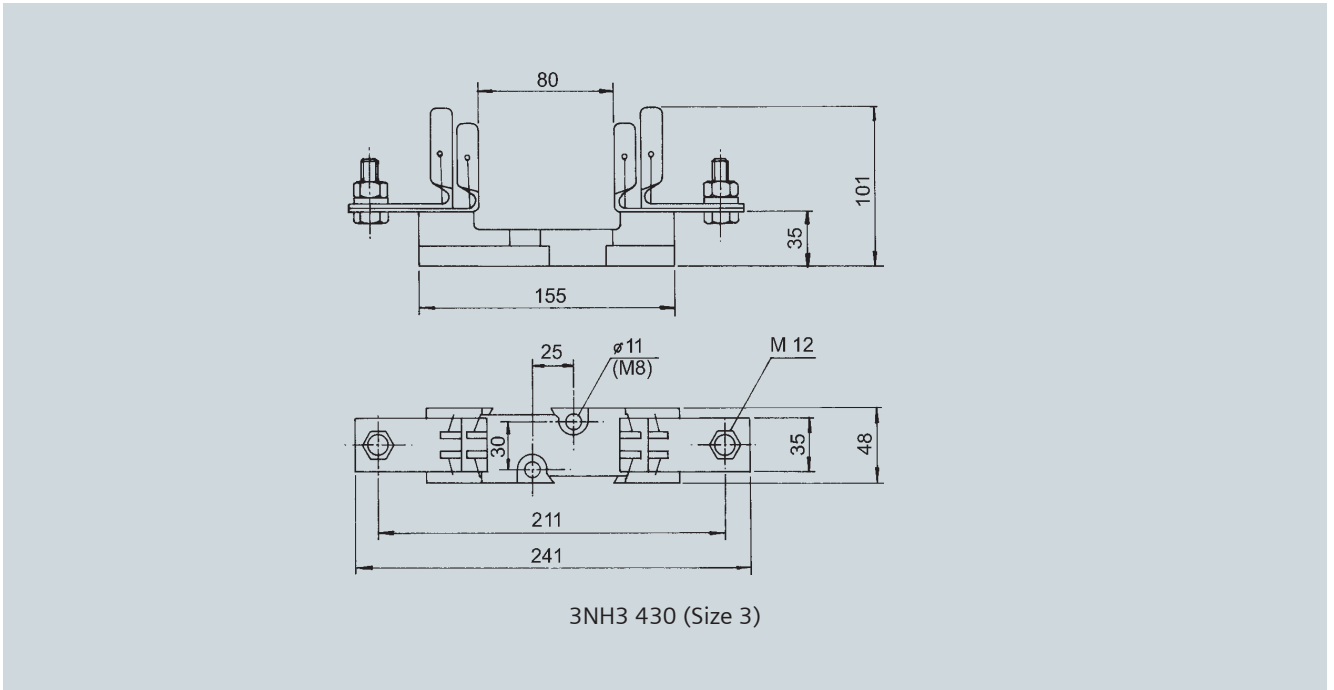
3NH3 230 (Size 1)



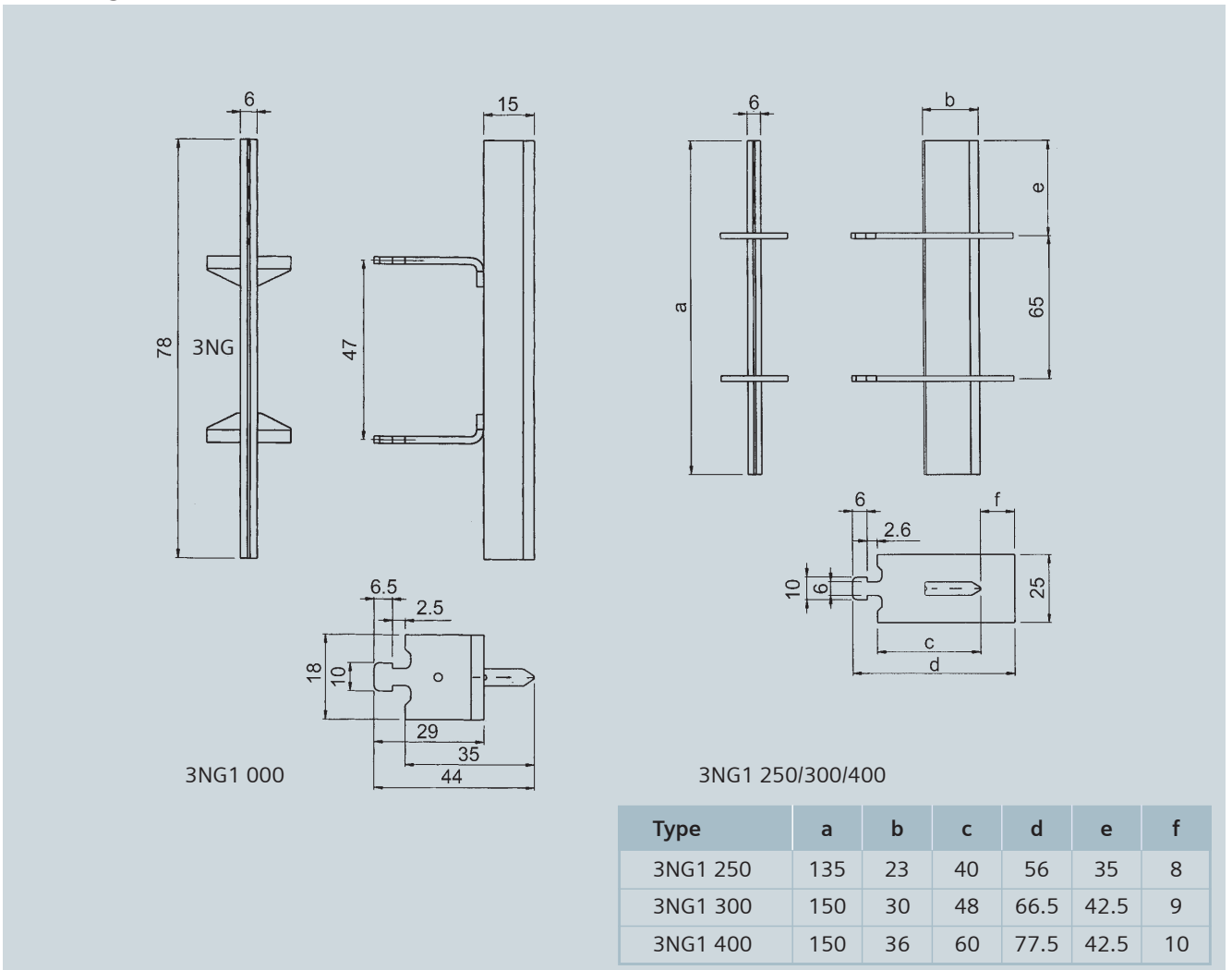
3NH3 330 (Size 2)

Dimensions

3NH3 Fuse Bases (Continuation)

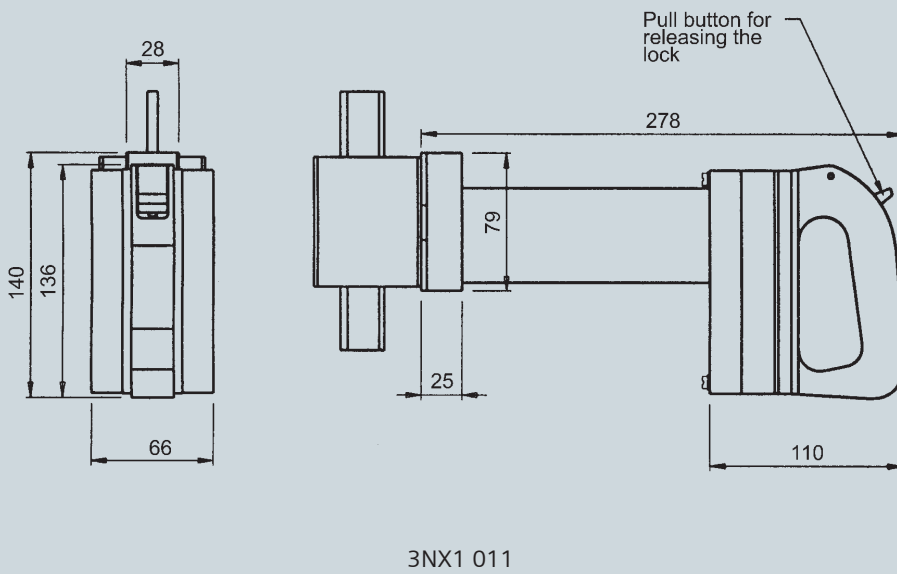
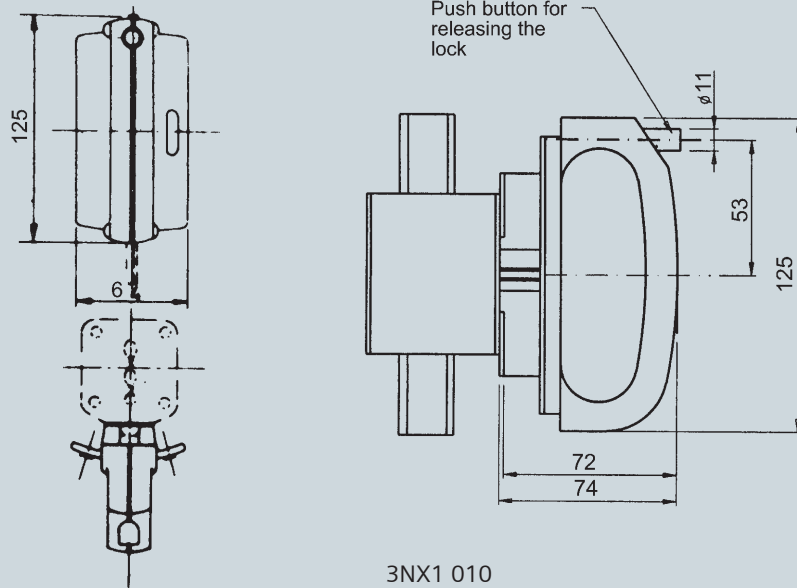


Isolating Links 3NG



Dimensions

3NX Insulated-handle fuse pullers



Notes

Your partners

Sales offices:

Ahmedabad

3rd Floor, Prerna Arbur
Girish Cold Drinks Cross Roads, Off G.C.Road
Ahmedabad - 380 009
☎ : +91 79 40207600
Fax: +91 79 40207699

Bengaluru

1st Floor, Jyoti Mahal
No. 49, St. Marks Road
Bengaluru - 560 001
☎ : +91 80 22042000
Fax: +91 80 22224131

Chandigarh

SCO 188/191, 3rd Floor, Sector-17 C
Chandigarh - 160 017
☎ : +91 172 4690300
Fax: +91 172 4690399

Territory managers:

Aurangabad

A9, Yogeshwari Vrundavan, Nr. Malhar Chowk
Garkheda Parisar, Prem Nagar
Aurangabad - 431210, Maharashtra
Mobile: +91 9766316446
E-mail: santosh.rajhans@siemens.com

Baroda

3rd Floor, OHM Business Park
Opp. Balaji Hospital, Ellora Park, Shubhanpura
Baroda - 390023
☎ : +91 265-669210
Mobile: +91 9825506962
E-mail: bhushan.sawant@siemens.com

Belgaum

H.No. 713, Narvekar Lane, Shahpur
Belgaum - 590008, Karnataka
☎ : +91 831 2495156
Mobile: +91 9740277991
E-mail: anand.gawade@siemens.com

Bhilai

25/2, Nehru Nagar (West), SBI Colony
Bhilai - 490020, Chhattisgarh
Mobile: +91 7869913404
E-mail: prashant.ghate@siemens.com

Bhopal

Flat No. 104, Sagar Home Phase-2
Sarvadhama Society, Nayapura Road
Bhopal - 462042, Madhya Pradesh
Mobile: +91 9977228084
E-mail: prajwal.khapekar@siemens.com

Bhubaneswar

Flat No. 109, Hara Priya Apartment
Vivekanand Marg
Bhubaneswar - 751002, Orissa
Mobile: +91 9937097504
E-mail: sumit.sengupta@siemens.com

Calicut

Door No. 19/C - 192 CPM House
Naderi (PO), Koyilandy (via)
Calicut - 673326
☎ : +91 9645963636
E-mail: ragesh.ri@siemens.com

Cochin

K.G.Oxford Business Centre
3A, Shreekanth Rd, Ravipuram
Cochin - 682016
☎ : +91 4028611/22
Mobile: +91 9387384848
E-mail: sudheer.ts@siemens.com

Cochin

K.G.Oxford Business Centre
3A, Shreekanth Rd, Ravipuram
Cochin - 682016
Mobile: +91 9744511109
E-mail: sajeen.s@siemens.com

Dehradun

32, Dhronpuri, Main Lane, G.M.S.
Dehradun - 248001, Uttarakhand
Mobile: +91 8650404404
E-mail: shashibhushan.prasad@siemens

Chennai

Sathak Centre, No.4., Mahatma Gandhi Road
Chennai - 600034
☎ : +91 44 28334000
Fax: +91 44 28334088

Coimbatore

7th Floor, Global Towers, 1057, Avinash Road
Coimbatore - 641 018
☎ : +91 422 4336300
Fax: +91 422 4336310

Hyderabad

5-9-19, 4th & 5th Floor, Laxmi Narasinh Estate
Opp. Secretariat Road, Saifabad
Hyderabad - 500 004
☎ : +91 40 2348 2500
Fax: +91 40 23243145

Durgapur

14, Dinabandhu Mitra Path
Near Kavi Guru Middle Stop
SAIL Co-Operative Area, City Centre
Durgapur - 713216
Mobile: +91 9874343052
E-mail: rana.mitra@siemens.com

Guwahati

G-1, Hill View Apartment
Navagraha Path, Chenikuthi Hill Side
Guwahati - 781003, Assam
Mobile: +91 9864110684
E-mail: biplab.datta@siemens.com

Guwahati

G-1, Hill View Apartment
Navagraha Path, Chenikuthi Hill Side
Guwahati - 781003, Assam
Mobile: +91 9435346708
E-mail: Sourav.Bhattacharya@siemens.com

Haridwar

6, Nand Puri, Nr. Aya Nagar Chowk, Jwalapur
Haridwar - 249407, Uttarakhand
☎ : +91 1334 251943
Mobile: +91 9897070133
E-mail: ankur.singh@siemens.com

Indore

Flat No. 102, Panchavati Apart.
40 Chandralok Colony, Khajrana Road
Indore - 452001, Madhya Pradesh
Mobile: +91 9926939993
E-mail: prashant.joshi@siemens.com

Jaipur

6, Park Street, Opp. Pink City Petrol Pump, M.I.Road
Jaipur - 302001, Rajasthan
☎ : +91 141 5152108
Mobile: +91 9829244313
E-mail: gupta.arun@siemens.com

Jalandhar

H.No.943, Urban Estate, Phase I
Jalandar - 144022, Punjab
☎ : +91 181 4613929
Mobile: +91 9876047929
E-mail: sunil.singla@siemens.com

Jamshedpur

823, Udaigiri Vijaya Heritage, Uliyan, Kadma
Jamshedpur - 831005, Jharkhand
☎ : +91 657 6451637
Mobile: +91 9934311352
E-mail: shaibal.pariial@siemens.com

Jodhpur

371, Gauri House
Kamala Nehru Nagar, Nr. SBI Bank
Jodhpur - 342008, Rajasthan
☎ : +91 291 2760371
Mobile: +91 9828327200
E-mail: naveen.sahariya@siemens.com

Kanpur

Flat No.403, Gulmohar Garden Phase II
Near Mariampur Hospital, Chain Factory
Shastri Nagar
Kanpur - 208005
Mobile: +91 8009900939
E-mail: shagun.gupta@siemens.com

Kolkata

43, Shanti Palli, Rashbihari Bypass Connector
Eastern Metropolitan Bypass
Kolkata - 700 042
☎ : +91 33 2444 9000, 24428641-47
Fax: +91 33 2444 9010/13

Lucknow

28/45, Ashok Marg, Opp. Indira Bhawan
Lucknow - 226001
☎ : +91 522 4031022, 4031000
Fax: +91 522 4031019

Mumbai

8th Floor, R&D Technology Centre
Thane Belapur Road, Airoli Node
New Mumbai - 400 708
☎ : +91 22 3326 5005-6
Fax: +91 22 3326 5867

Kolhapur

Flat No.101, Shrushti Mahabharat Apartment
Mahavir Garden To Mahavir College Road
Nagala Park
Kolhapur - 416003
☎ : +91 231 2663330
Mobile: +91 9881465421
E-mail: sachin.chavan@siemens.com

Ludhiana

H.No.92, Lajpat Nagar, Near Bus Stand
Ludhiana - 141002, Punjab
☎ : +91 161 2770574
Mobile: +91 9815502480
E-mail: rohit.jagga@siemens.com

Ludhiana

H.No.95, 1st Floor, Model Gram Extension
Near Bank of India
Ludhiana - 141002, Punjab
Mobile: +91 9888484066
E-mail: padam.sharma@siemens.com

Madurai

8/12, Ground Flr.
Sakthi Vellammal Street, SS colony
Madurai - 625010, Tamil Nadu
Mobile: +91 9894617780
E-mail: mahendiran.murugan@siemens.com

Nashik

"Aditya Avenue", Flat No.27, 4th Floor, B-Wing
Near Chandak Circle, Tidke Colony
Nasik - 422001, Maharashtra
Mobile: +91 9822193204
E-mail: kiran.kanhurkar@siemens.com

Pondicherry

"Raghavendra ILLAM", Gnd Floor
No 21, 3rd Cross Street, Anna Nagar
Pondicherry - 605005
Mobile: +91 9840143536
E-mail: lakshmanan.s@siemens.com

Raipur

Flat No.103, First Floor, Block-B, Shilp Enclave
Nr. IAS Colony, Shankar Nagar
Raipur - 492007, Chhattisgarh
Mobile: +91 9425057945
E-mail: brajesh.rathor@siemens.com

Rajkot

"Vrjraj", Chandanpark Society
Opp. Gyanganga Vidhyapith, Nr. Raiya Circle
Rajkot - 360005, Gujarat
Mobile: +91 9825021026
E-mail: hiren.raythatha@siemens.com

Ranchi

H-1/187, Harmu Housing Colony, Harmu
Ranchi - 834002, Jharkhand
Mobile: +91 9234610953
E-mail: sourav.dasgupta@siemens.com

Renukoot

Above ICICI Prudential Office, Patel Nagar
Murdhewa, Distt. Sonbhadra
Renukoot - 231217, Uttarpradesh
☎ : +91 544 254693
Mobile: +91 9838007897
E-mail: bhav.srivastava@siemens.com

Nagpur

5th Floor, Land Mark Building
Wardha Road, Ramdas Peth
Nagpur - 440 010
☎ : +91 712 6633000
Fax: +91 712 6633111

New Delhi

4A, Ring Road, I.P.Estate, Box.No.7036
New Delhi - 110 002
☎ : +91 11 2345 5000-09
Fax: +91 11 42995030

Pune

Tower B/701-705, ICC Trade Tower
403A, Senapati Bapat Road
Pune - 411016
☎ : +91 20 2570 6000
Fax: +91 20 2570 6060

Rourkela

HIG - B/207, Phase - 3, Kalinga Vihar, Chhend
Rourkela - 769015, Orissa
Mobile: +91 9438529778
E-mail: samir.chintak@siemens.com

Rudrapur

13/14, Model Colony
Nr.Gopinath Mandir, Station Road
Rudrapur - 263153, Distt. Udham Singh Nagar
Uttarkhand
Mobile: +91 9839813707
E-mail: singh.ajay@siemens.com

Salem

3/25, Santosh Nagar
PACB Backside, Chinnathirupathi
Salem - 8
☎ : +91 427 2401981
Mobile: +91 9894617772
E-mail: rubengerald.s@siemens.com

Surat

Flat No. 202, D-1, Suryam Residence
Cause Way Road, Opp. Hari Darshan
Shingampor-Dabholi Road, Katargam
Surat - 395004, Gujarat
Mobile: +91 9925001779
E-mail: chandrakant.keshrani@siemens.com

Trichy

Door No.106, Grd. Flr., 5th Cross Street
Vidyalal Road, Ganapathy Nagar, Thiruvanani Koil
Trichy - 605005
☎ : +91 431 4345621
Mobile: +91 9840843121
E-mail: k.saravanakumar@siemens.com

Trivandrum

Udayakaran, T.C.No.28/535
Krishnakovil Road, Kalthamukku
Trivandrum - 695024, Kerala
Mobile: +91 9895979604
E-mail: antony.john@siemens.com

Udaipur

303, Oasis Park, PP Singhal Marg, Ambavgarh
Udaipur - 313001, Rajasthan
☎ : +91 294 2430345
Mobile: +91 9829039120
E-mail: ajit.parashar@siemens.com

Vapi

Flat No.302, Samrajiya IV, Royal Residency
Gokul Vihar Township, Charwada Road
Vapi - 396195, Gujarat
☎ : +91 260 6451156
Mobile: +91 9825147957
E-mail: sachin.paradkar@siemens.com

Vijaywada

74-32-1, Flat No.304, Tummala Residency
Opp. Current Office Pandaripuram, Ashok Nagar
Vijayawada - 520007, Andhra Pradesh
☎ : +91 866 3060833
Mobile: +91 9866463639
E-mail: santosh.p@siemens.com

Vizag

Flat No. 401, Door No. 9-19-6
Vinayagar South Avenue, CBM Compound
Vishakhapatnam - 530003, Andhra Pradesh
☎ : +91 891 6462229
Mobile: +91 98492 12555
E-mail: kvs.prasad@siemens.com

Siemens Ltd.
Industry Sector
Building Technologies Division
Low Voltage Global Components
R&D Technology Centre
Kalwa Works, Thane Belapur Road, Thane - 400 601
Fax: +91 22 33265627
Email: globalcomponents.in@siemens.com
www.siemens.com/industry

Order No.: 103794117
GC-01-005-005
(This replaces ET-01-014-004)

Customer Care Toll free no.
1800 220 987 / 1800 209 0987
Email: adscs.india@siemens.com

Product upgradation is a continuous process. Hence, data in this catalog is subject to change without prior notice. For the latest information, please get in touch with our Sales Offices.