



SIEMENS



Complete protection made easy

HRC fuses - BS type

Answers for infrastructure.

Siemens offers 3NW BS type of fuses suitable for use in both industrial and building applications. These fuses are available in a wide range from 2A-800A, in different sizes and mounting options viz. blade tag, central tag & offset tag. With a high short circuit breaking capacity of 80kA, the

Siemens 3NW BS fuses are designed to provide the fastest protection to the downstream equipment, with minimum stress on the cables. Where safety & reliability is a priority, Siemens 3NW fuses are the perfect solution.

www.siemens.co.in



General

Siemens low voltage BS fuses have been developed for industrial & building applications. Due to the special design, they provide high rupturing capacity combined with low temperature rise under normal load conditions. The quick acting characteristics of the fuses ensure that even under the worst fault conditions, cut off occurs before the peak value of fault current is reached. This ultimately reduces the electromagnetic stress, thus avoiding premature failure of the downstream equipment. The BS fuse holders are designed for safety & easy operation. They are used for blade & offset tag of fuses upto 100A.

Applications

The fuses are ideally suited for protection of lighting and heating circuits and can be used in industrial as well as in building application.

Short Data Description

BS fuse holders

Rated Voltage	: 415V AC
Rated Current	: 20A, 32A, 63A, 100A
Rated breaking capacity	: 80kA
Relevant Standard	: BS88 Part 1&2 (1998) IEC 60269-2-1

BS Fuses - Type 3NW

Rated Voltage	: 415V AC, 240V DC
Rated Current	: 2A to 800A
Rated short circuit breaking capacity	: 80kA (AC), 40kA (DC)
Utilization Category	: gG
Fusing Factor	: 1.6
Fuse fixing arrangement	: Blade Tag, Offset Tag, Centre Tag
Relevant Standards	: IS13703-2 (1993), BS 88 Part 1 & 2 (1988), IEC 60269 -2-1(1987)

Selection table for using BS fuse with 3KL8/3KT8 Superswitch

Rated current in (A)	SDF type	BS fuse size	BS fuse type
20A	3KL8111	A2/A3	TSA/TIA
32A	3KL8121	A2/A3	TSA/TIA
	3KT8121	A2/A3	TSA/TIA/TIS
50A	3KT8141	A3	TSA/TIA/TIS
63A	3KL8151	A3	TIS/TSS
80A	3KT8161	A3	TSDS/TIS/TSS
100A	3KL8211	A4	TCP
	3KT8211		
125A	3KL8221	A4	TCP/TSFP
	3KT8221		
160A	3KL8231	A4	TCP/TSFP
	3KT8231		
200A	3KL8311	B2/B3/B4	TSF/TF
	3KT8311		
250A	3KL8321	B2/B3/B4	TSF/TF/TKF/TSK
	3KT8321		
315A	3KL8331	B2/B3/B4	TSF/TF/TKF/TSK
	3KT8331		
400A	3KL8341	B2/B3/B4	TSF/TF/TKF/TSK/TMF
	3KT8341		
500A	3KL8411	C1/C2/C3	TTM
	3KT8411		
630A	3KL8421	C1/C2/C3	TTM
	3KT8421		
800A	3KL8431	C1/C2/C3	-
	3KT8431		

Fuse holder selection for BS fuses :

Type Reference	Current Rating (Max.)	Voltage (Max.) AC/DC	Fuse Type
	Amps.	Volts	
3NW20NNSF	20	550	Blade Tag
3NW32NNSF	32	550	
3NWC32F	32	660	Off-set Tag
3NWC63F	63	660	
3NWC100F	100	660	

Fuse size selection for 3NW BS fuse

Blade tag

Size	Rated current A	Type
F1	2	■ 3NW NS 2
	4	■ 3NW NS 4
	6	■ 3NW NS 6
	10	■ 3NW NS 10
	16	■ 3NW NS 16
	20	■ 3NW NS 20
	25	■ 3NW NS 25
	32	3NW NS 32

Offset tag

Size	Rated current A	Type
A2	2	3NW TIA 2
	4	3NW TIA 4
	6	3NW TIA 6
	10	■ 3NW TIA 10
	16	■ 3NW TIA 16
	20	■ 3NW TIA 20
	25	■ 3NW TIA 25
	32	■ 3NW TIA 32
A3	40	3NW TIS 40
	50	■ 3NW TIS 50
	63	■ 3NW TIS 63
A4	80	3NW TCP 80
	100	■ 3NW TCP 100
-	125	3NW TFP 125
	160	3NW TFP 160
	200	3NW TFP 200

Size	Rated current A	Type
A2	6	3NW TSA 6
	10	3NW TSA 10
	16	3NW TSA 16
	20	3NW TSA 20
	25	3NW TSA 25
	32	3NW TSA 32
A3	36	3NW TSS 36
	40	3NW TSS 40
	50	3NW TSS 50
	63	3NW TSS 63
-	80	3NW TSDS 80
	100	3NW TSDS 100
-	125	3NW TSFP 125
	160	3NW TSFP 160
	200	3NW TSFP 200

Fuse size selection for 3NW BS fuse (Continued)

Central tag

Size	Rated current A	Type
B1	80	3NW TC 80
	100	3NW TC 100
B2	125	3NW TF 125
	160	3NW TF 160
	200	3NW TF 200
B3	250	3NW TKF 250
	315	3NW TKF 315
B4	355	3NW TMF 355
	400	3NW TMF 400
C2	500	3NW TTM 500
	630	3NW TTM 630
C3	710	3NW TLM 710
	800	3NW TLM 800

Size	Rated current A	Type
B1	80	3NW TSDC 80
	100	3NW TSDC 100
B2	125	3NW TSF 125
	160	3NW TSF 160
	200	3NW TSF 200
B4	250	3NW TSK 250
	315	3NW TSK 315
-	355	3NW TSMS 355
	400	3NW TSMS 400
-	450	3NW TSTS 450
	500	3NW TSTS 500
-	560	3NW TSL 560
	630	3NW TSL 630
-	800	3NW TSL 800

Power Dissipation Chart

Type	Rated current A	Type Reference	Rated Power Dissipation (Watts)
Blade Tag	2	3NW NS2	0.9
	4	3NW NS4	1.4
	6	3NW NS6	1.8
	10	3NW NS10	2.1
	16	3NW NS16	1.8
	20	3NW NS20	1.8
	25	3NW NS25	2.0
	32	3NW NS32	2.9
Offset Tag	2	3NW TIA2	1.5
	4	3NW TIA4	2.7
	6	3NW TIA6	3.3
	10	3NW TIA10	2.8
	16	3NW TIA16	3.3
	20	3NW TIA20	3.1
	25	3NW TIA25	3.6
Offset Tag	32	3NW TIA32	3.8
	6	3NW TSA6	1.8
	10	3NW TSA10	2.1
	16	3NW TSA16	1.8
	20	3NW TSA20	1.8
	25	3NW TSA25	2.0
	32	3NW TSA32	2.9
Offset Tag	40	3NW TIS40	4.7
	50	3NW TIS50	4.9
	63	3NW TIS63	5.6
	36	3NW TSS36	4.4
Offset Tag	40	3NW TSS40	4.7
	50	3NW TSS50	4.9
	63	3NW TSS63	5.6
	80	3NW TCP80	7.2
Offset Tag	100	3NW TCP100	8.2
	80	3NW TSDS80	7.2
Offset Tag	100	3NW TSDS100	8.5
	125	3NW TSFP125	11.0
	160	3NW TSFP160	13.0
Offset Tag	200	3NW TSFP200	14.0
	125	3NW TFP125	10.0
	160	3NW TFP160	13.9
Offset Tag	200	3NW TFP200	16.0

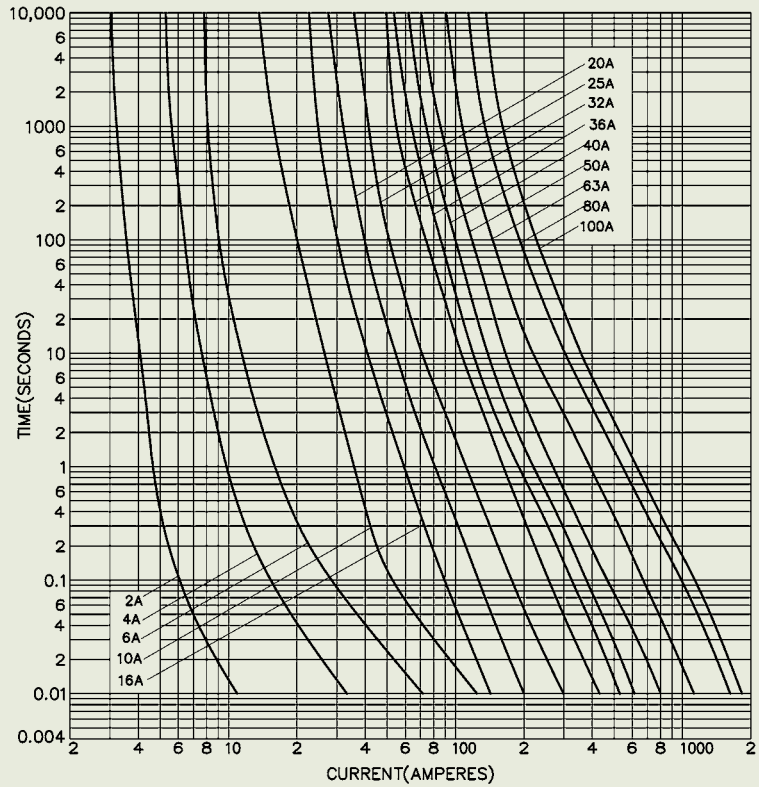
Type	Rated current A	Type Reference	Rated Power Dissipation (Watts)
Centre Tag	80	3NW TSDC80	7.2
	100	3NW TSDC100	8.5
Centre Tag	80	3NW TC80	7.2
	100	3NW TC100	8.2
Centre Tag	125	3NW TF125	10.0
	160	3NW TF160	13.0
	200	3NW TF200	16.0
Centre Tag	125	3NW TSF125	11.0
	160	3NW TSF160	13.0
	200	3NW TSF200	14.0
Centre Tag	250	3NW TKF250	19.0
	315	3NW TKF315	25.0
Centre Tag	250	3NW TSK250	18.0
	315	3NW TSK315	22.0
Centre Tag	355	3NW TSMS355	24.0
	400	3NW TSMS400	29.0
Centre Tag	355	3NW TMF355	24.0
	400	3NW TMF400	29.0
Centre Tag	450	3NW TSTS450	31.0
	500	3NW TSTS500	39.0
Centre Tag	500	3NW TTM500	38.0
	630	3NW TTM630	50.0
Centre Tag	560	3NW TSL560	38.0
	630	3NW TSL630	44.0
Centre Tag	800	3NW TSL800	68.0
	710	3NW TLM710	53.0
Centre Tag	800	3NW TLM800	64.0



Characteristics

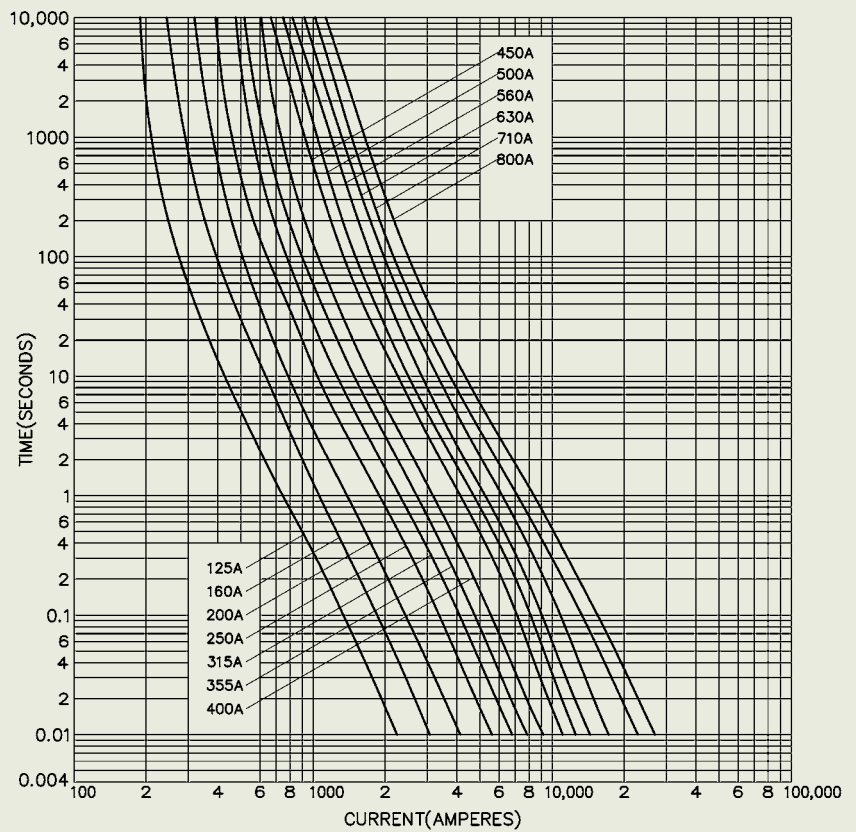
Time – Current Characteristics

Fuse Type
3NW NS
3NW TSA
3NW TIA
3NW TIS
3NW TSS
3NW TC
3NW TCP
3NW TSDS
3NW TSDC



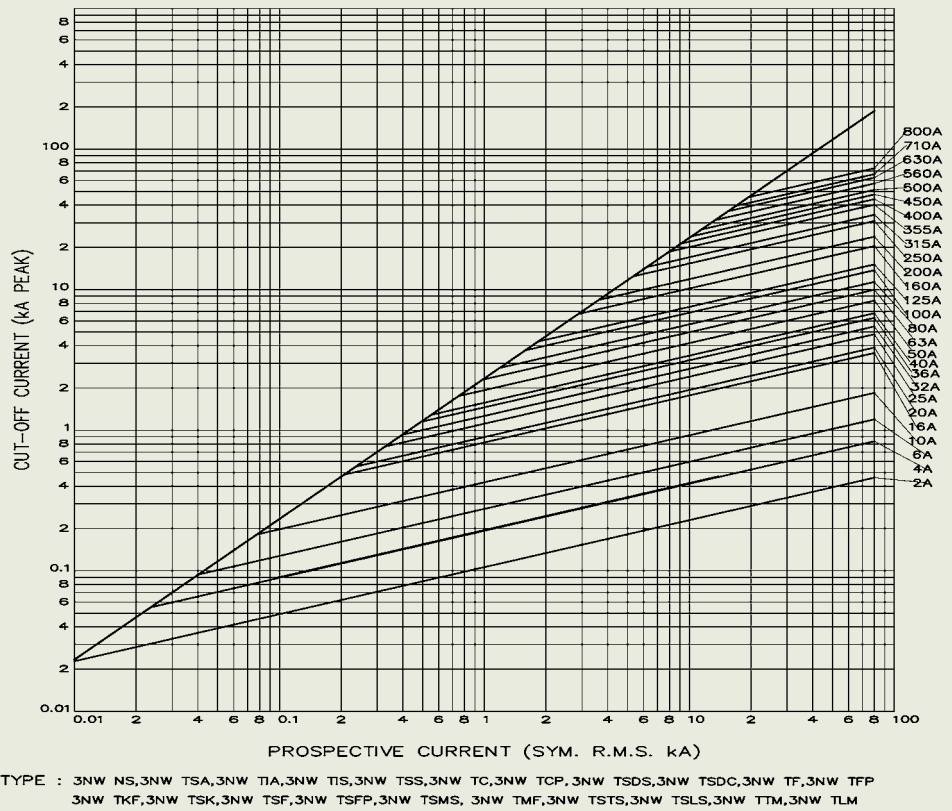
Time – Current Characteristics

Fuse Type
3NW TF
3NW TFP
3NW TKF
3NW TSK
3NW TSF
3NW TSFP
3NW TSMS
3NW TMF
3NW TSTS
3NW TSLS
3NW TTM
3NW TLM

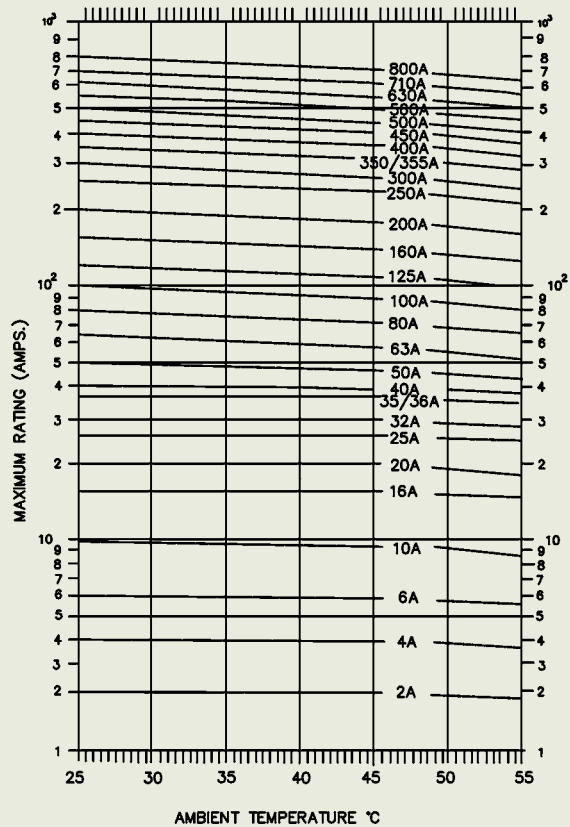


Characteristics

Cut-off Current Characteristics



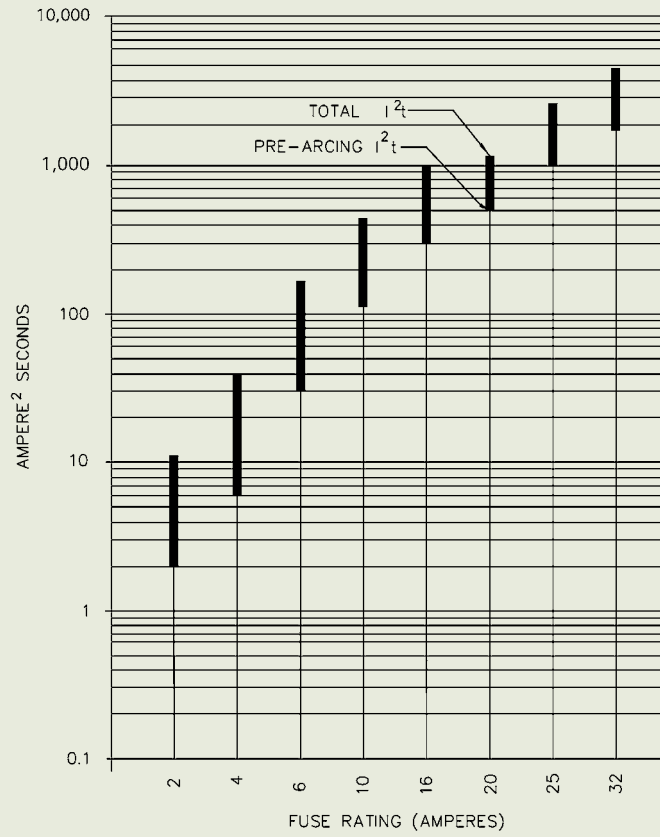
Temperature Derating Curve



Characteristics

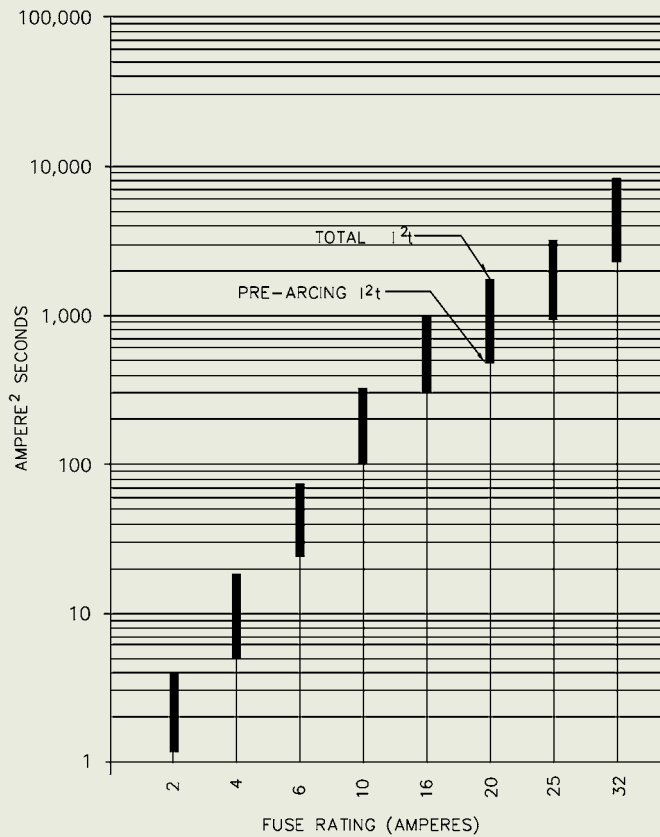
I²t Characteristics

Fuse Type
3NW NS
3NW TSA



I²t Characteristics

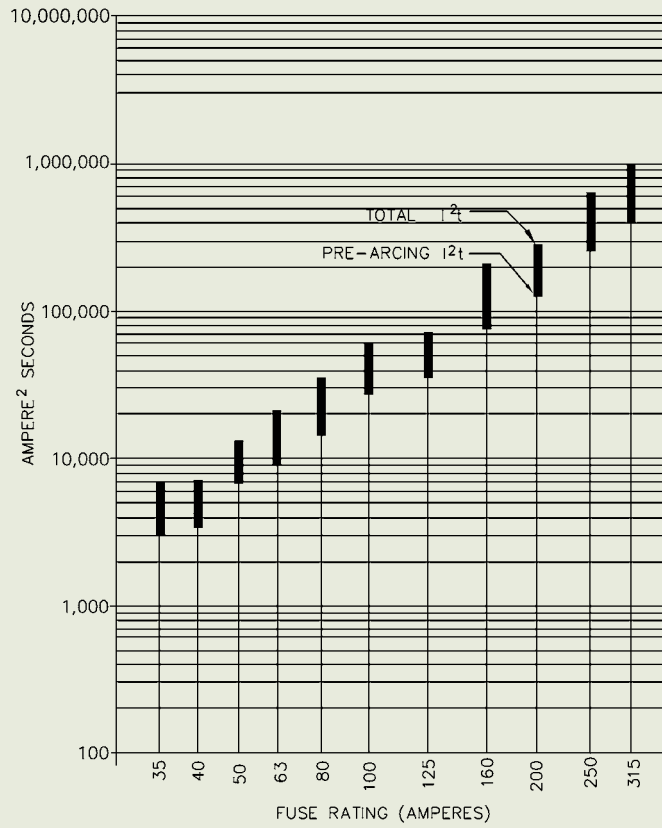
Fuse Type
3NW TIA



Characteristics

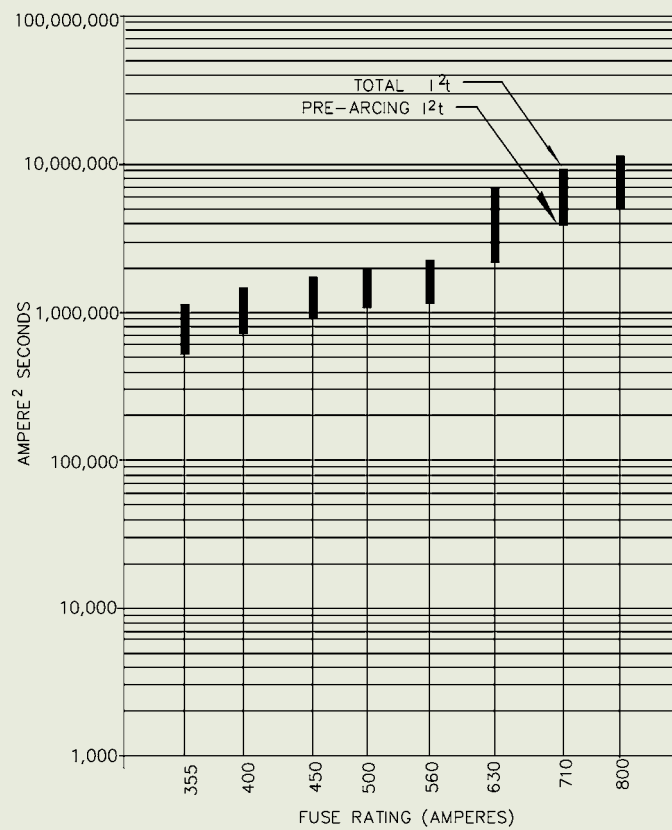
I²t Characteristics

Fuse Type
3NW TIS
3NW TSS
3NW TCP
3NW TSDS
3NW TSFP
3NW TSDC
3NW TC
3NW TF
3NW TSF
3NW TSK

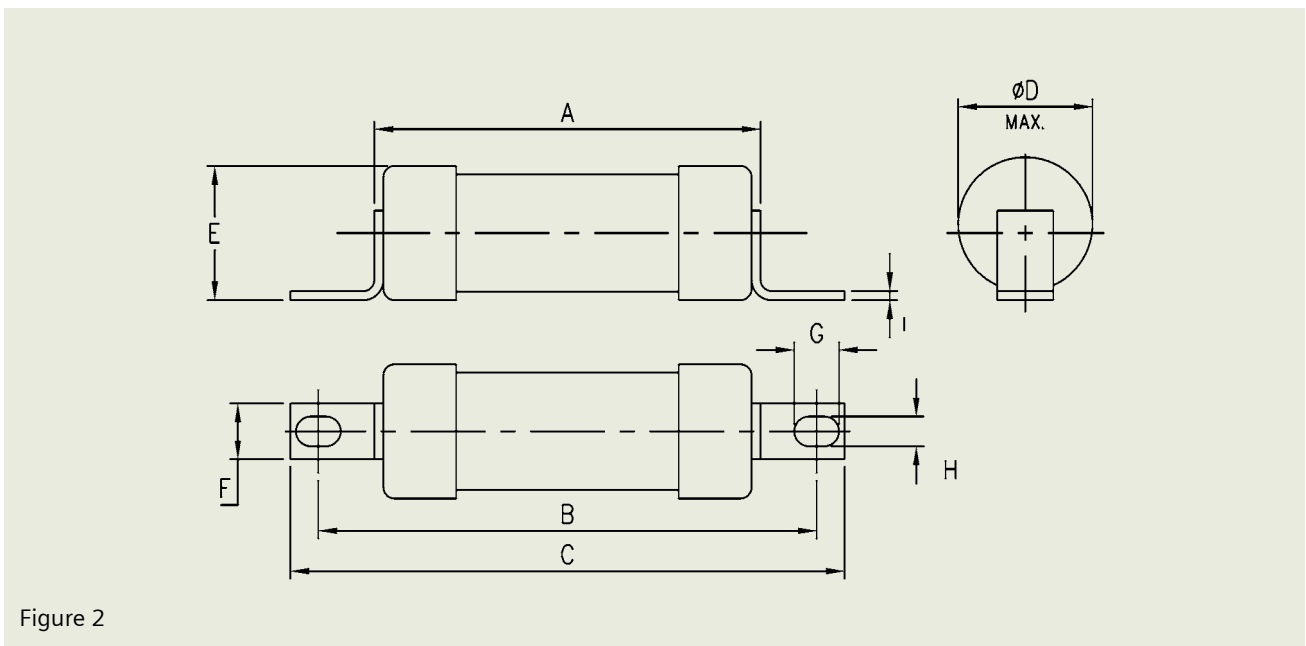
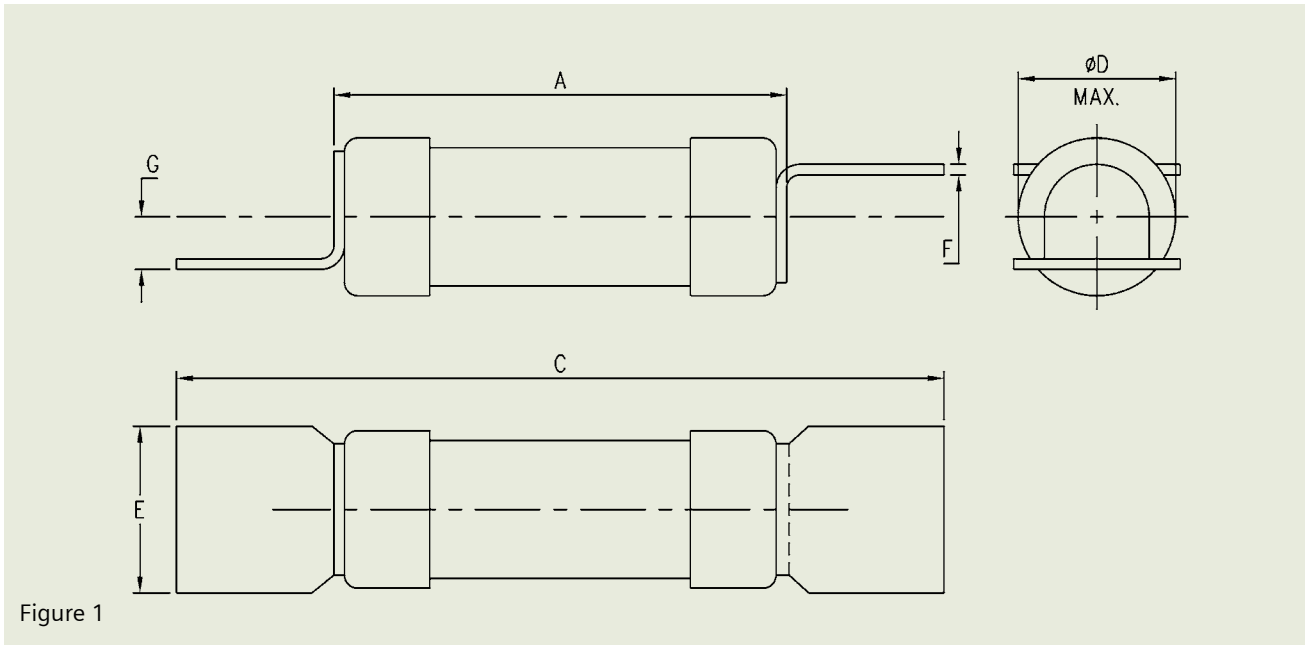


I²t Characteristics

Fuse Type
3NW TSMS
3NW TMF
3NW TSTS
3NW TTM
3NW TSLS
3NW TLM



Dimensions (mm)



Type Reference		Current Rating Range Amps.	A	B	C	D	E	F	G	H	I	Refer Figure
Blade Tag	3NW NS	2-32	34.50	—	58.50	13.80	12.70	0.80	4.30	—	—	1
Off-Set Tag	3NW TIA	2-32	53.00	73.00	85.00	22.00	22.10	9.20	7.90	5.40	1.00	2
	3NW TSA	6-32	35.50	73.50	85.00	13.70	14.00	8.70	8.00	5.50	1.20	
	3NW TIS	40-63	54.50	73.50	87.00	21.00	22.50	12.70	8.00	5.50	1.20	
	3NW TSS	36-63	54.50	73.50	87.00	21.00	22.50	12.70	8.00	5.50	1.20	
	3NW TCP	80-100	66.00	94.00	111.00	35.50	37.00	20.00	10.30	8.70	2.64	
	3NW TSDS	80-100	54.50	73.00	95.00	21.00	22.50	12.70	8.00	5.50	1.20	
	3NW TSFP	125-200	47.00	94.00	110.00	31.00	29.50	19.00	10.00	9.00	3.20	
3NW TFP	125-200	66.00	94.00	111.00	38.00	38.00	19.00	10.00	8.50	2.64		

Dimensions (mm)

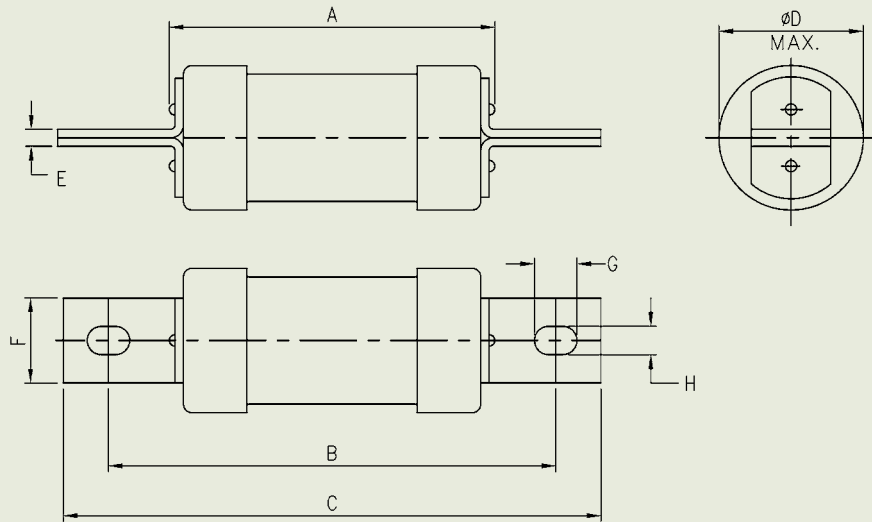


Figure 3

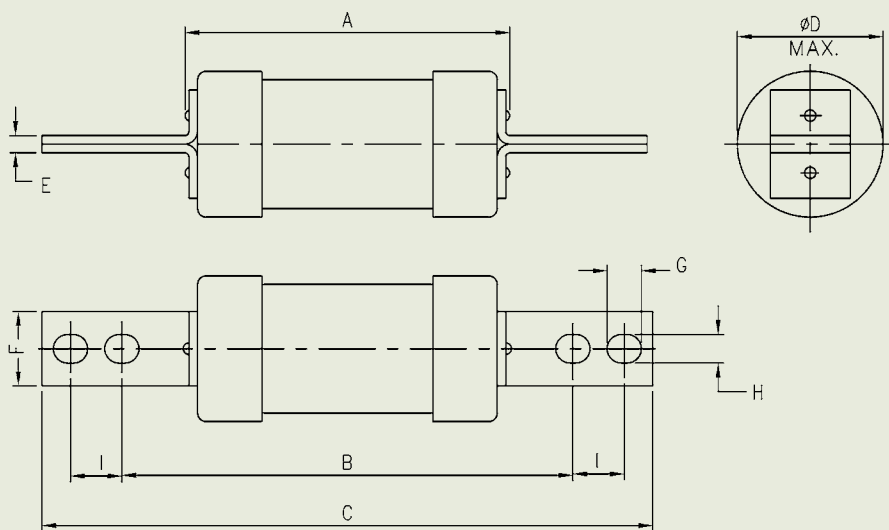
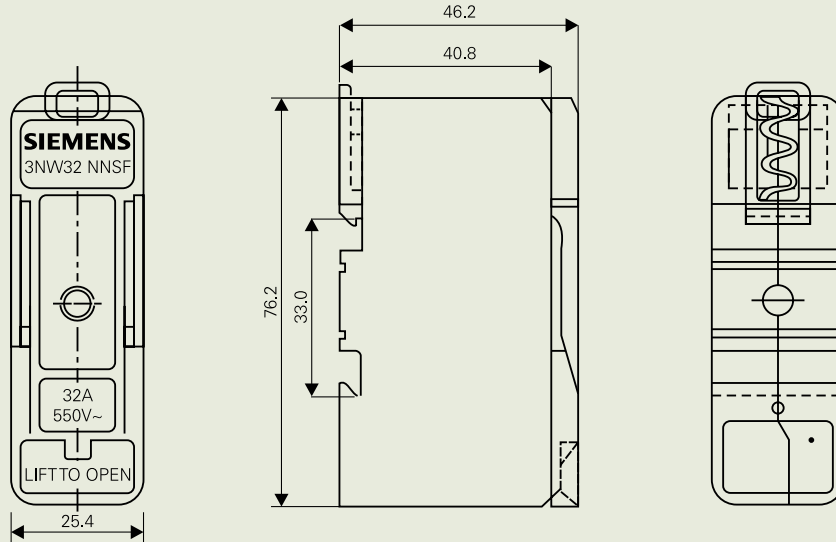


Figure 4

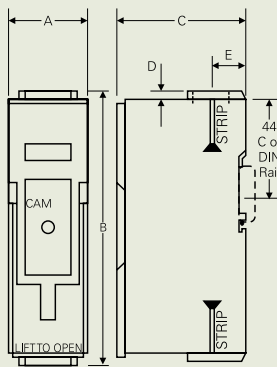
Type Reference		Current Rating Range Amps.	A	B	C	D	E	F	G	H	I	Refer Figure
Centre Tag	3NW TSDC	80-100	58.50	111.00	126.00	21.00	3.20	14.30	11.10	8.70	—	3
	3NW TC	80-100	65.00	111.00	136.00	35.50	3.20	19.00	15.00	8.70	—	
	3NW TF	125-200	65.00	110.00	135.00	37.00	3.20	19.00	15.00	8.70	—	
	3NW TSF	160-200	47.00	110.00	136.00	31.00	3.20	19.00	12.50	9.00	—	
	3NW TKF	250-315	73.00	112.00	138.00	51.00	3.25	26.00	12.70	9.50	—	
	3NW TSK	250-315	47.00	111.00	136.00	38.00	4.70	19.00	12.50	9.00	—	
	3NW TMF	355-400	50.00	111.00	136.00	38.00	4.70	25.40	12.50	9.50	—	
	3NW TSTS	450-500	58.50	133.00	163.00	60.00	6.50	26.00	16.00	11.00	—	
	3NW TSLS	560-630	62.50	133.00	163.00	73.20	10.00	26.00	16.00	11.00	—	
	3NW TSMS	355-400	57.50	133.00	212.00	51.00	5.00	26.00	16.00	11.00	25.40	
	3NW TTM	500-630	77.50	134.00	210.00	74.00	6.40	25.40	15.50	10.50	25.40	4
	3NW TSLS	800	62.00	133.00	212.00	73.20	10.00	25.40	16.00	11.00	25.40	
	3NW TLM	710-800	80.50	134.50	210.00	83.00	9.50	25.40	15.50	10.50	25.40	

3NW Fuse Holders Dimensions (mm)

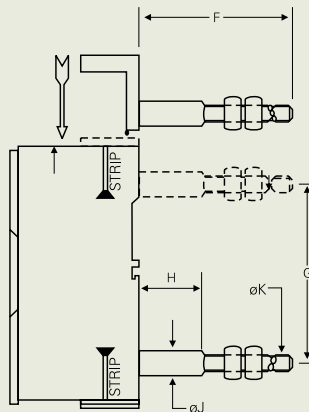
3NW20NNSF, 3NW32NNSF



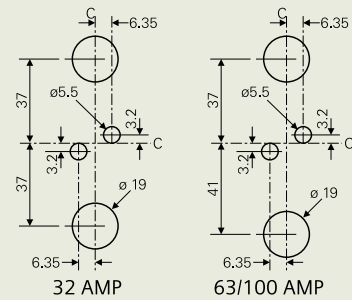
Standard Front Connected Unit



Front wiring/Back Stud and Double Back Stud Connected Units



Panel Drilling Plans, viewed from front of Panel



Units allow easy customer conversion to either Front wiring/Back Stud or Double Back Stud Connected by use of Back Stud Accessories, using only a screwdriver.

Type	A	B	C	D	E	F	G	H	J	K
3NW CM32F	31.8	117.5	60	3.2	17.5	66	74	28.6	11.9	M6
3NW CM63F	35.6	125	60	4.75	16.4	86.5	79.8	28.6	11.9	M6
3NW CM100F	35.6	125	60	4.75	16.4	86.5	79.8	28.6	11.9	M6

Your partners

Sales offices:

Ahmedabad

3rd Floor, Prerna Arbur
Girish Cold Drinks Cross Roads, Off G.C.Road
Ahmedabad - 380 009
☎ : +91 79 40207600
Fax: +91 79 40207699

Bengaluru

1st Floor, Jyoti Mahal
No. 49, St. Marks Road
Bengaluru - 560 001
☎ : +91 80 22042000
Fax: +91 80 22224131

Chandigarh

SCO 188/191, 3rd Floor, Sector-17 C
Chandigarh - 160 017
☎ : +91 172 4690300
Fax: +91 172 4690399

Territory managers:

Aurangabad

A9, Yogeshwari Vrundavan, Nr. Malhar Chowk
Garkheda Parisar, Prem Nagar
Aurangabad - 431210, Maharashtra
Mobile: +91 9766316446
E-mail: santosh.rajhans@siemens.com

Baroda

3rd Floor, OHM Business Park
Opp. Balaji Hospital, Ellora Park, Shubhanpura
Baroda - 390023
☎ : +91 265-669210
Mobile: +91 9825506962
E-mail: bhushan.sawant@siemens.com

Belgaum

H.No. 713, Narvekar Lane, Shahpur
Belgaum - 590008, Karnataka
☎ : +91 831 2495156
Mobile: +91 9740277991
E-mail: anand.gawade@siemens.com

Bhilai

25/2, Nehru Nagar (West), SBI Colony
Bhilai - 490020, Chhattisgarh
Mobile: +91 7869913404
E-mail: prashant.ghate@siemens.com

Bhopal

Flat No. 104, Sagar Home Phase-2
Sarvadhama Society, Nayapura Road
Bhopal - 462042, Madhya Pradesh
Mobile: +91 9977228084
E-mail: prajwal.khapekar@siemens.com

Bhubaneswar

Flat No. 109, Hara Priya Apartment
Vivekanand Marg
Bhubaneswar - 751002, Orissa
Mobile: +91 9937097504
E-mail: sumit.sengupta@siemens.com

Calicut

Door No. 19/C - 192 CPM House
Naderi (PO), Koyilandy (via)
Calicut - 673326
☎ : +91 9645963636
E-mail: ragesh.ri@siemens.com

Cochin

K.G. Oxford Business Centre
3A, Shreekanth Rd, Ravipuram
Cochin - 682016
☎ : +91 4028611/22
Mobile: +91 9387384848
E-mail: sudheer.ts@siemens.com

Cochin

K.G. Oxford Business Centre
3A, Shreekanth Rd, Ravipuram
Cochin - 682016
Mobile: +91 9744511109
E-mail: sajeen.s@siemens.com

Dehradun

32, Dhronpuri, Main Lane, G.M.S.
Deharadun - 248001, Uttarakhand
Mobile: +91 8650404404
E-mail: shashibhushan.prasad@siemens.com

Chennai

Sathak Centre, No.4., Mahatma Gandhi Road
Chennai - 600034
☎ : +91 44 28334000
Fax: +91 44 28334088

Coimbatore

7th Floor, Global Towers, 1057, Avinash Road
Coimbatore - 641 018
☎ : +91 422 4336300
Fax: +91 422 4336310

Hyderabad

5-9-19, 4th & 5th Floor, Laxmi Narasinh Estate
Opp. Secretariat Road, Saifabad
Hyderabad - 500 004
☎ : +91 40 2348 2500
Fax: +91 40 23243145

Durgapur

14, Dinabandhu Mitra Path
Near Kavi Guru Middle Stop
SAIL Co-Operative Area, City Centre
Durgapur - 713216
Mobile: +91 9874343052
E-mail: rana.mitra@siemens.com

Guwahati

G-1, Hill View Apartment
Navagraha Path, Chenikuthi Hill Side
Guwahati - 781003, Assam
Mobile: +91 9864110684
E-mail: biplab.datta@siemens.com

Guwahati

G-1, Hill View Appartment
Navagraha Path, Chenikuthi Hill Side
Guwahati - 781003, Assam
Mobile: +91 9435346708
E-mail: Sourav.Bhattacharya@siemens.com

Haridwar

6, Nand Puri, Nr. Aya Nagar Chowk, Jwalapur
Hardwar - 249407, Uttarkhand
☎ : +91 1334 251943
Mobile: +91 9897070133
E-mail: ankur.singh@siemens.com

Indore

Flat No. 102, Panchavati Apart.
40 Chandralok Colony, Khajrana Road
Indore - 452001, Madhya Pradesh
Mobile: +91 9926939993
E-mail: prashant.joshi@siemens.com

Jaipur

6, Park Street, Opp. Pink City Petrol Pump, M.I.Road
Jaipur - 302001, Rajasthan
☎ : +91 141 5152108
Mobile: +91 9829244313
E-mail: gupta.arun@siemens.com

Jalandhar

H.No.943, Urban Estate, Phase I
Jalandar - 144022, Punjab
☎ : +91 181 4613929
Mobile: +91 9876047929
E-mail: sunil.singla@siemens.com

Jamshedpur

823, Udaigiri Vijaya Heritage, Uliyan, Kadma
Jamshedpur - 831005, Jharkhand
☎ : +91 657 6451637
Mobile: +91 9934311352
E-mail: shaibal.parial@siemens.com

Jodhpur

371, Gauri House
Kamala Nehru Nagar, Nr. SBI Bank
Jodhpur - 342008, Rajasthan
☎ : +91 291 2760371
Mobile: +91 9828327200
E-mail: naveen.sahariya@siemens.com

Kanpur

Flat No.403, Gulmohar Garden Phase II
Near Mariampur Hospital, Chain Factory
Shastri Nagar
Kanpur - 208005
Mobile: +91 8009900939
E-mail: shagun.gupta@siemens.com

Kolkata

43, Shanti Palli, Rashbihari Bypass Connector
Eastern Metropolitan Bypass
Kolkata - 700 042
☎ : +91 33 2444 9000, 24428641-47
Fax: +91 33 2444 9010/13

Lucknow

28/45, Ashok Marg, Opp. Indira Bhawan
Lucknow - 226001
☎ : +91 522 4031022, 4031000
Fax: +91 522 4031019

Mumbai

8th Floor, R&D Technology Centre
Thane Belapur Road, Airoli Node
Navi Mumbai - 400 708
☎ : +91 22 2764 5005-6
Fax: +91 22 27645867

Kolhapur

Flat No.101, Shrushti Mahabharat Apartment
Mahavir Garden To Mahavir College Road
Nagala Park
Kolhapur - 416003
☎ : +91 231 2663330
Mobile: +91 9881465421
E-mail: sachin.chavan@siemens.com

Ludhiana

H.No.92, Lajpat Nagar, Near Bus Stand
Ludhiana - 141002, Punjab
☎ : +91 161 2770574
Mobile: +91 9815502480
E-mail: rohit.jagga@siemens.com

Ludhiana

H.No.95, 1st Floor, Model Gram Extension
Near Bank of India
Ludhiana - 141002, Punjab
Mobile: +91 9888484066
E-mail: padam.sharma@siemens.com

Madurai

8/12, Ground Flr.
Sakthi Vellammal Street, SS colony
Madurai - 625010, Tamil Nadu
Mobile: +91 9894617780
E-mail: mahendiran.murugan@siemens.com

Nashik

"Aditya Avenue", Flat No.27, 4th Floor, B-Wing
Near Chandak Circle, Tidke Colony
Nasik - 422001, Maharashtra
Mobile: +91 9822193204
E-mail: kiran.kanhurkar@siemens.com

Pondicherry

"Raghavendra ILLAM", Gnd Floor
No 21, 3rd Cross Street, Anna Nagar
Pondicherry - 605005
Mobile: +91 9840143536
E-mail: lakshmanan.s@siemens.com

Raipur

Flat No.103, First Floor, Block-B, Shilp Enclave
Nr. IAS Colony, Shankar Nagar
Raipur - 492007, Chhattisgarh
Mobile: +91 9425057945
E-mail: brajesh.rathor@siemens.com

Rajkot

"Vrujraj", Chandanpark Society
Opp. Gyanganga Vidhyapith, Nr. Raiya Circle
Rajkot - 360005, Gujarat
Mobile: +91 9825021026
E-mail: hiren.raythatha@siemens.com

Ranchi

H-1/187, Harmu Housing Colony, Harmu
Ranchi - 834002, Jharkhand
Mobile: +91 9234610953
E-mail: sourav.dasgupta@siemens.com

Renukoot

Above ICICI Prudential Office, Patel Nagar
Murdhewa, Distt. Sonbhadra
Renukoot - 231217, Uttarpradesh
☎ : +91 544 254693
Mobile: +91 9838007897
E-mail: bhav.srivastava@siemens.com

Nagpur

5th Floor, Land Mark Building
Wardha Road, Ramdas Peth
Nagpur - 440 010
☎ : +91 712 6633000
Fax: +91 712 6633111

New Delhi

4A, Ring Road, I.P.Estate, Box.No.7036
New Delhi - 110 002
☎ : +91 11 2345 5000-09
Fax: +91 11 42995030

Pune

Tower B/701-705, ICC Trade Tower
403A, Senapati Bapat Road
Pune - 411016
☎ : +91 20 2570 6000
Fax: +91 20 2570 6060

Rourkela

HIG - B/207, Phase - 3, Kalinga Vihar, Chhend
Rourkela - 769015, Orissa
Mobile: +91 9438529778
E-mail: samir.chintak@siemens.com

Rudrapur

13/14, Model Colony
Nr. Gopinath Mandir, Station Road
Rudrapur - 263153, Distt. Udhamsingh Nagar
Uttarkhand
Mobile: +91 9839813707
E-mail: singh.ajay@siemens.com

Salem

3/25, Santosh Nagar
PACB Backside, Chinnathirupathi
Salem - 8
☎ : +91 427 2401981
Mobile: +91 9894617772
E-mail: rubengerald.s@siemens.com

Surat

Flat No. 202, D-1, Suryam Residence
Cause Way Road, Opp. Hari Darshan
Shingapur-Dabholi Road, Katargam
Surat - 395004, Gujarat
Mobile: +91 9925001779
E-mail: chandrakant.keshrani@siemens.com

Trichy

Door No.106, Grd. Flr., 5th Cross Street
Vidyalalai Road, Ganapthy Nagar, Thiruvanaai Koil
Trichy - 605005
☎ : +91 431 4345621
Mobile: +91 9840843121
E-mail: k.saravanakumar@siemens.com

Trivandrum

Udayakiran, T.C.No.28/535
Krishnakovil Road, Kaithamukku
Trivandrum - 695024, Kerala
Mobile: +91 9895979604
E-mail: antony.john@siemens.com

Udaipur

303, Oasis Park, PP Singhal Marg, Ambagarh
Udaipur - 313001, Rajasthan
☎ : +91 294 2430345
Mobile: +91 9829039120
E-mail: ajit.parashar@siemens.com

Vapi

Flat No.302, Samrajya IV, Royal Residency
Gokul Vihar Township, Charwada Road
Vapi - 396195, Gujarat
☎ : +91 260 6451156
Mobile: +91 9825147957
E-mail: sachin.paradkar@siemens.com

Vijaywada

74-32-1, Flat No.304, Tummala Residency
Opp. Current Office Pandaripuram, Ashok Nagar
Vijayawada - 520007, Andhra Pradesh
☎ : +91 866 3060833
Mobile: +91 9866463639
E-mail: santosh.p@siemens.com

Vizag

Flat No. 401, Door No. 9-19-6
Vinayagar South Avenue, CBM Compound
Vishakhapatnam - 530003, Andhra Pradesh
☎ : +91 891 6462229
Mobile: +91 98492 12555
E-mail: kvs.prasad@siemens.com

Siemens Ltd.
Industry Sector
Building Technologies Division
Low Voltage Global Components
R&D Technology Centre
Kalwa Works, Thane Belapur Road, Thane - 400 601
Fax: +91 22 27645627
Email: globalcomponents.in@siemens.com
www.siemens.co.in/industry

Order No.: 103794120
GC-01-005-006

Customer Care Toll free no.
1800 220 987 / 1800 209 0987
Email: adscs.india@siemens.com

Product upgradation is a continuous process. Hence, data in this catalog is subject to change without prior notice. For the latest information, please get in touch with our Sales Offices.