

## Technical Information

**Compact energy efficient LED Luminaire for downlight applications**



## **Tender text**

- real MR 16 Downlight 50 W 12V replacement → same form factor (cut out 68 mm), same beam angle (36° and 12°), more candela power
- sustainable and energy saving → luminaire efficacy 50 lm/W and up to 70% savings
- easy connection to mains voltage → precabled power supply included
- comfortable features → adjustable +/- 20° and in 36° or 12° available
- suitable for bathroom applications → IP44 rated
- economical → less than 1,5 years pay back time

## Table of contents:

<b>Tender text</b> .....	<b>1</b>
<b>A) Technical Information</b> .....	<b>2</b>
<b>1) Housing, Mounting and Accessories</b> .....	<b>2</b>
<b>2) Electrical Installation</b> .....	<b>3</b>
<b>3) Optical features</b> .....	<b>4</b>
<b>4) Control</b> .....	<b>6</b>
<b>B) Logistic Data</b> .....	<b>6</b>

# LEDVANCE® Downlight M

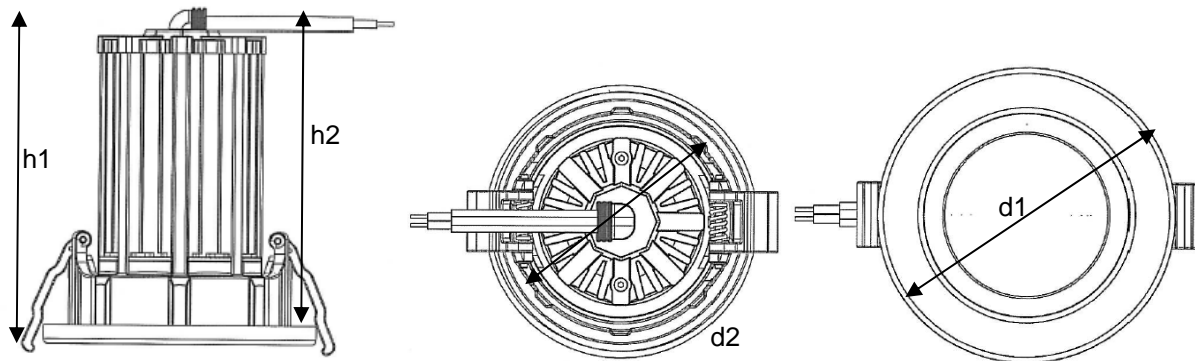


## A) Technical Information

### 1) Housing, Mounting and Accessories

Product name	LEDVANCE® Downlight M
Body material	Aluminium
Ring colour (RAL)	white RAL 9016 matt
Cover material	Polymer
Type of cover	clear
Symmetry	symmetric
Adjustable	+/- 20°

	LEDVANCE® Downlight M 36°	LEDVANCE® Downlight M 12°
Total Height h1 [mm]	99 mm	103 mm
Total Diameter d1 [mm]	80 mm	80 mm
Backside depth h2 [mm]	93 mm	97 mm
Backside diameter d2 [mm]	66 mm	66 mm
Cut out diameter [mm]	68 mm	68 mm
Installation height [mm]	Min. 120 in the false ceiling	



Mounting type	Recessed Downlight
Net weight [g]	320
Ceiling thickness [mm]	1-40

# LEDVANCE® Downlight M



Protection class	II
Type of protection (IP code)	IP 44 accessible part, IP20 recessed part
Protection against ignition and fire	F, MM
Glow Wire Test according to IEC 695-2-1 (> 650°C)	850 °C
Approval marks	ENEC, CE
Body temperature	< 90°C
Ambient temperature	25°C
Luminaire efficiency [lm/W]	> 50 lm/W

## Anodized Aluminum Ring



Flat Anodized Aluminum Ring (like standard white ring)

## 2) Electrical Installation

- Mains voltage luminaire with on/off functionality

Product name	LEDVANCE® Downlight M
Nominal wattage [W]	13,5 W
Mains voltage [V]	220-240 V
Mains frequency [Hz]	50-60 Hz
Suitable cable types for primary side:	U-1000 R2V (2x1 – 2x1.5) mm <sup>2</sup> , H05VV-F(3x0.75) mm <sup>2</sup> H05VV-F(2x0.75 – 2x1.5) mm <sup>2</sup> ; H05VV-H2F(2x0.75 – 2x1.5) mm <sup>2</sup>
Type of connection	screw terminal on power supply

# LEDVANCE<sup>®</sup> Downlight M



## 3) Optical features

- OSRAM OSOLON LED inside
- High efficient reflector system

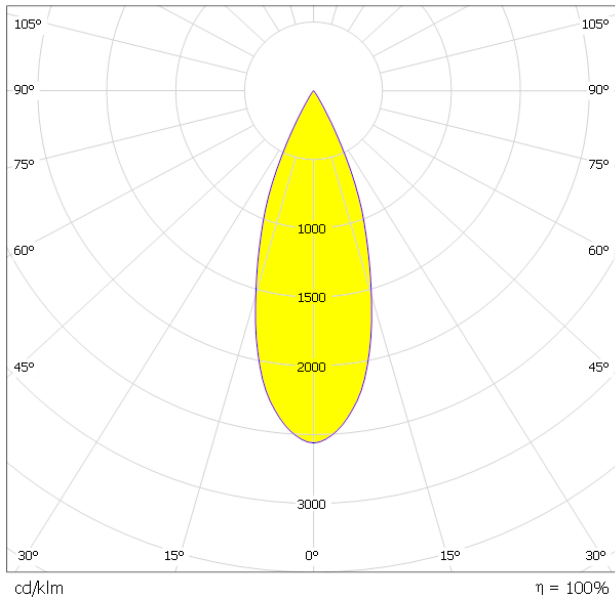
<b>Product name</b>	<b>LEDVANCE<sup>®</sup> Downlight M</b>
<b>LED type</b>	OSOLON
<b>Number of lighting outlets</b>	9
<b>Lifetime LED</b>	50.000 h (L70)
<b>Light color</b>	White
<b>Color rendering index (CRI)</b>	> 80
<b>Color temperature [K]</b>	3000 K; 4000 K
<b>Beam angle [°]</b>	36°; 12°
<b>Luminous flux [lm]</b>	700 lm
<b>Luminous intensity [cd]</b>	36°: 1636 cd 12°: 7408 cd
<b>UGR<sub>L</sub></b>	19 Suitable for office environments

# LEDVANCE<sup>®</sup> Downlight M

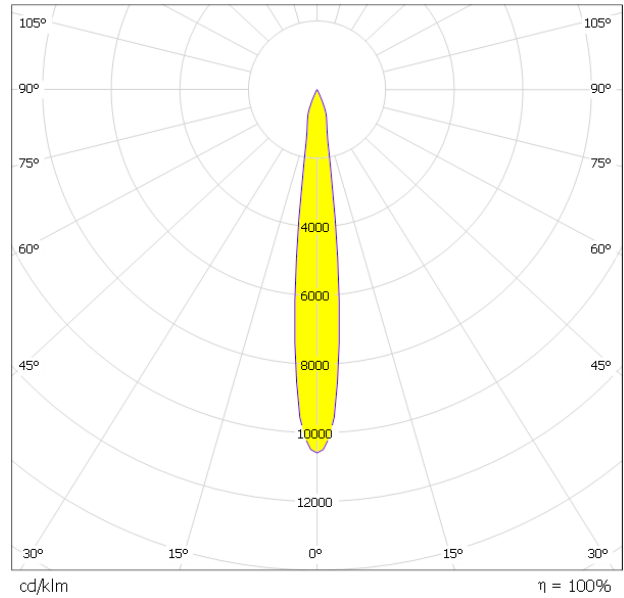


## Polar diagram:

36° beam angle

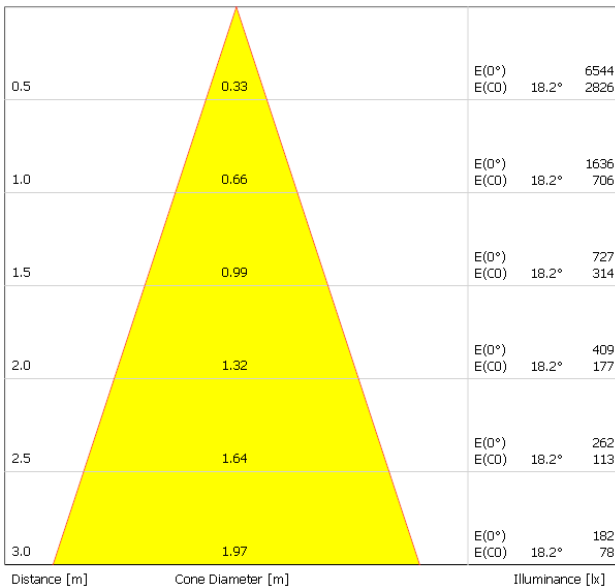


12° beam angle

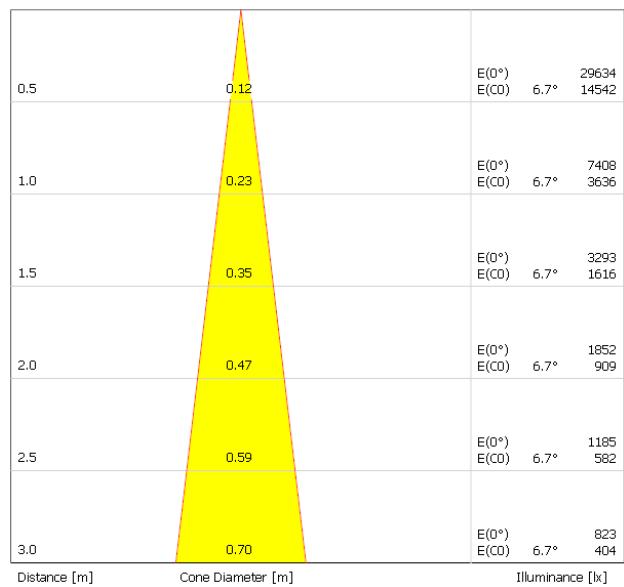


## Cone diagram:

36° beam angle



12° beam angle



# LEDVANCE<sup>®</sup> Downlight M



## 4) Control

- easy connection to mains voltage → power supply included (precabled on sec. side)
- dimmable version available soon

<b>Product name</b>	<b>LEDVANCE<sup>®</sup> Downlight M</b>
<b>Ballast / Control gear</b>	external ECG OT18/220-240/450 precabled on the secondary side (included in the packaging)
<b>Permissible sinusoidal operating voltage [V<sub>AC</sub>]</b>	220-240 V
<b>Dimmable</b>	No; (dimmable version available soon)

## B) Logistic Data

Product reference	Product number (EAN 10)	Color	Light color	SU
LEDVANCE <sup>®</sup> DOWNLIGHT M 830 L12 WT	4008321968661	white	3000 K	4x1
LEDVANCE <sup>®</sup> DOWNLIGHT M 830 L36 WT	4008321968678	white	3000 K	4x1
LEDVANCE <sup>®</sup> DOWNLIGHT M 840 L12 WT	4008321968685	white	4000 K	4x1
LEDVANCE <sup>®</sup> DOWNLIGHT M 840 L36 WT	4008321968692	white	4000 K	4x1

## Accessories:

Product reference	Product number (EAN 10)	Color		SU
LEDVANCE <sup>®</sup> DOWNLIGHT M RING AL	4008321968746	anodized aluminium		4x1

AL	anodized aluminium
WT	white
830	CRI 80, warm white 3000 K
840	CRI 80, cool white 4000 K
L12	12° beam angle
L36	36° beam angle