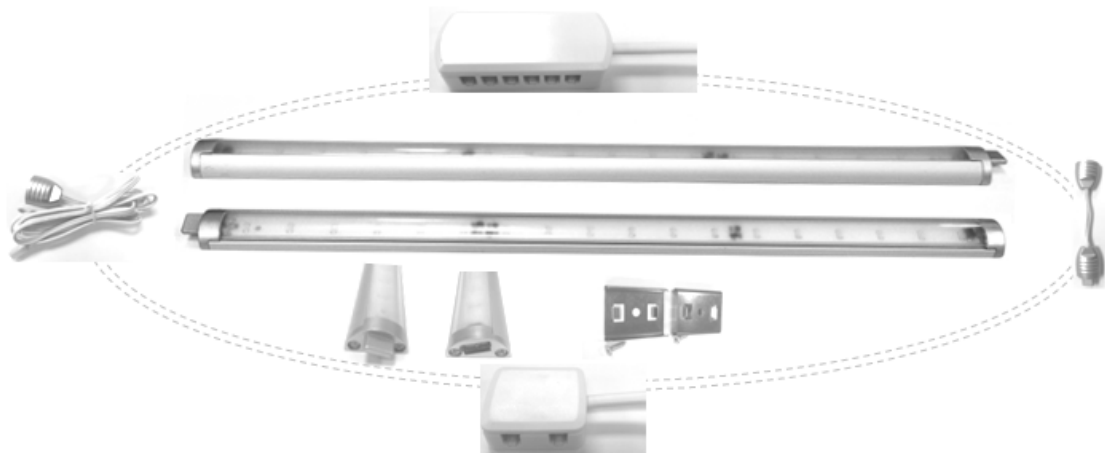


LEDTOUCH SHELF Advance – LS18A / LS36A / LS72A Data Sheet



LEDTOUCH SHELF Advance is a low-power LED luminaire with elegant aluminum housing and easy plug & play connection features. With integrated asymmetric optics and easy installation features, it is an ideal energy-saving light source for display cabinet, shelf and cove lightings.

MAJOR BENEFITS

- Elegant homogenous design;
- Low profile;
- Available in warm white (2700K), neutral white (4000K) and cold white (6500K);
- Asymmetric optical design to provide high uniformity;
- Easy “Plug & Play” connections;
- Easy for end user installation;
- Dimmable.

APPLICATIONS

- Display cabinet lighting;
- Shelf lighting;
- Cove lighting.

SPECIFICATION

Item	Parameter	1ft	2ft	4ft
		LS18A-W4F-827 LS18A-W4F-840 LS18A-W4F-765	LS36A-W4F-827 LS36A-W4F-840 LS36A-W4F-765	LS72A-W4F-827 LS72A-W4F-840 LS72A-W4F-765
Light Output*	Lumen (lm)	240lm (2700K)	480lm (2700K)	960lm (2700K)
		260lm (4000K)	520lm (4000K)	1040lm (4000K)
		292lm (6500K)	585lm (6500K)	1170lm (6500K)
	Candela (cd)	80cd (2700K)	160cd (2700K)	320cd (2700K)
		88cd (4000K)	176cd (4000K)	350cd (4000K)
		103cd (6500K)	205cd (6500K)	410cd (6500K)
	Beam Angle	120° X 110°	120° X 110°	120° X 110°
	Power	3.5W	7W	14W
	Efficacy (lm/W)	70 lm/W (2700K)	70 lm/W (2700K)	70 lm/W (2700K)
		75 lm/W (4000K)	75 lm/W (4000K)	75 lm/W (4000K)
		83 lm/W (6500K)	83 lm/W (6500K)	83 lm/W (6500K)
	CCT (K)	2700K	2700K	2700K
		4000K	4000K	4000K
6500K		6500K	6500K	
CRI	>80 (2700K)	>80 (2700K)	>80 (2700K)	
	>80 (4000K)	>80 (4000K)	>80 (4000K)	
	>70 (6500K)	>70 (6500K)	>70 (6500K)	
Lifetime (T _a @ 25°C)	40,000 hours	40,000 hours	40,000 hours	
Electrical #	Input	Constant Voltage, 24V DC		
	Supply	OSRAM OPTOTRONIC@ OTe18/220-240/24, OTe90/220-240/24E, OTe120/220-240/24E		
Mechanical	Dimension (mm)	307 x 22.6 x 10 (1 foot); 607 x 22.6 x 10 (2 feet); 1,207 x 22.6 x 10 (4 feet);		
	Weight (g)	84g (1 foot); 168g (2 feet); 336g (4 feet);		
Temperature ##	Ambient (°C)	-20 ... 45°C (T _a in free air)		
	Operation T _c (°C)	-0 ... 65°C (measure at T _c point)		
	Storage (°C)	-20 ... 85°C (measure at T _c point)		
Standard Compliance	CE	IEC 60598-1, EN 55015, IEC 62471, IEC 61547, IEC 61000-3-2 and IEC 61000-3-3;		
	Eye Security	IEC 62471 (Eye-Security/CIE S009)		
	EMC immunity	IEC 61547		
	EMC radio disturbance	IEC 55015		
	Harmonics and Flickers	EN 61000-3-2 and IEC 61000-3-3		
	Protection Class	IP20, Class III LUM		
Environment	RoHS			
Packaging	Includes	1) Bracket (2pcs for LS18A, LS36A; 4pcs for LS72A); 2) screw (2pcs for LS18A, LS36A; 4pcs for LS72A).		

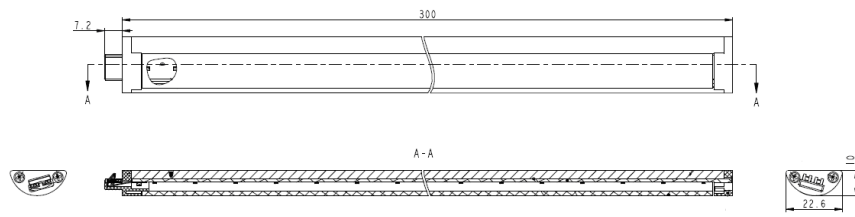
*) Due to the special conditions of manufacturing processes of LED, the typical data of technical parameters can only reflect statistical figures and do not necessarily correspond to the actual parameters of each single product which could differ from the typical data.

#) Exceeding maximum ratings for operation voltage will cause hazardous overload and will likely destroy the LED Luminaires.

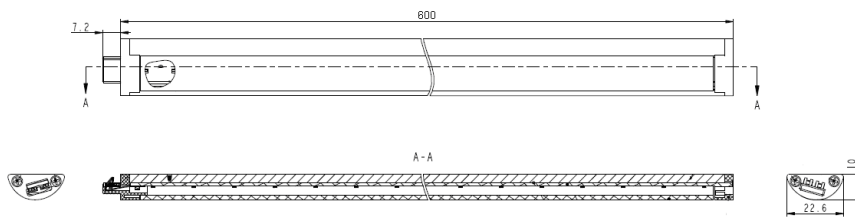
##) Exceeding maximum ratings for operation and storage temperature will reduce expected life time or destroy the LED luminaires.

The temperature of the LED product needs to be measured at the T_c-point according to EN60598-1 in a thermally constant status with a temperature sensor or a temperature sensitive label. For exact location of the T_c-point see drawings.

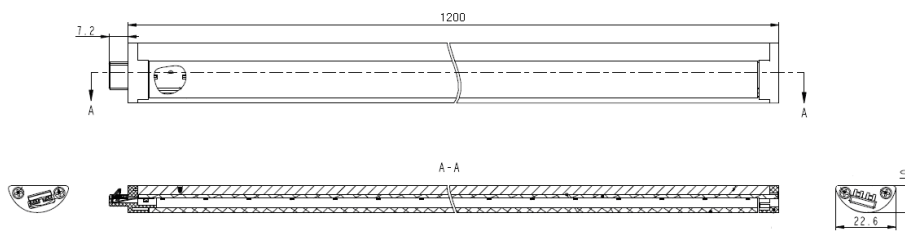
DRAWINGS



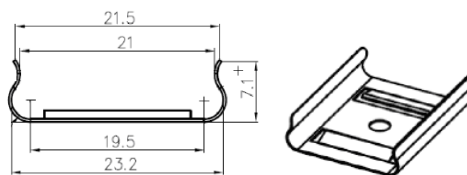
LS18A



LS36A

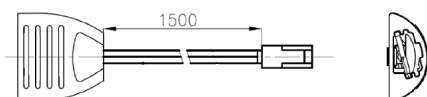


LS72A

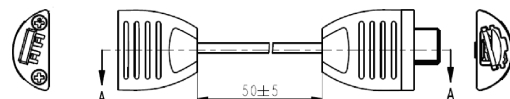


Bracket

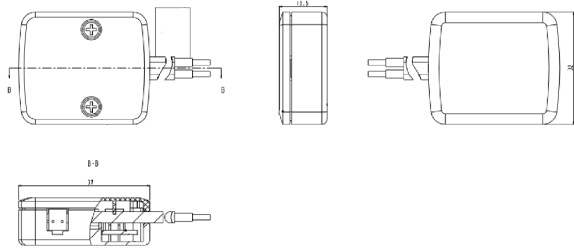
Accessory (to be ordered separately)



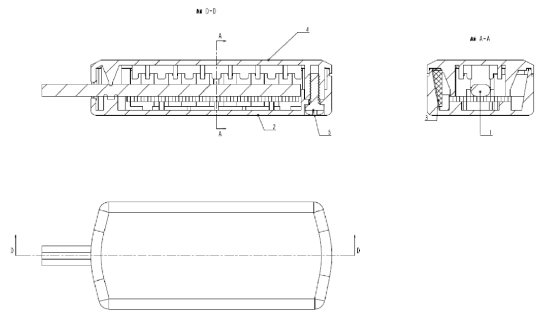
LDTH SHELF LS-ENTER



LDTH SHELF LS-INTER



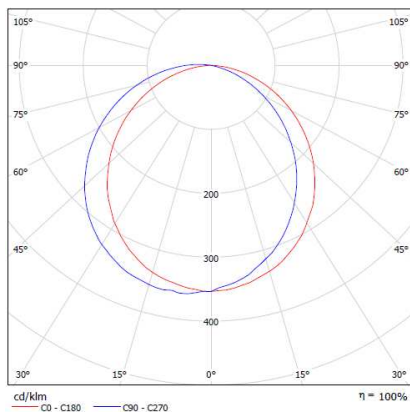
LDTH SHELF JB-4A



LDTH SHELF JB-6A

PHOTOMETRICS

Polar Candela Distribution (cd/klm)



SAFETY NOTE

- The LED product itself and all its components must not be mechanically stressed.
- Assembly must not damage or destroy conducting paths on the circuit board.
- Installation of LED product (with power supplies) needs to be made with regard to all applicable electrical and safety standards. Only qualified personnel should be allowed to perform installations.
- Observe correct polarity! Depending on the product incorrect polarity will lead no light. The product can be destroyed! Correct polarity immediately!
- Pay attention to standard ESD precautions when installing the product.
- The LED product can typically survive levels of up to 3 Amperes. As a general design precaution, if the maximum output current of the power supply is more than 3 Amperes, fast-blow fuses should be incorporated into the wiring plan.
- Electrical contact is achieved with the contact connectors or cables. A maximum number of 5 pcs LS72A, 10 pcs LS36A or 20pcs LS18A respectively can be installed consecutively from one power feed. Operation with more than 5 pcs LS72A, 10 pcs LS36A or 20pcs LS18A consecutive products will reduce photometric performance and exceed the current carrying capacity of the system.
- Installation of > 5 pcs LS72A or > 10 pcs LS36A or >20pcs LS18A on one OPTOTRONIC® 90W /120W has to be realized by either feeding the power to the centre or by splitting the power feed to contact groups of the maximum allowed number of products in-line.
- Damage by corrosion will not be honored as a materials defect claim. It is the user's responsibility to provide suitable protection again corrosive agents such as moisture and condensation and other harmful elements.

Assembly Information

- The mounting of one product can be done by two mounting brackets. After positioning the brackets as desired, the product can be simply snapped in (not applicable for vertical mounting).
- LDTH SHELF JB-4A max. allows 4 connector inputs; while LDTH SHELF JB-6A max. allows 6 connector inputs.

ORDERING CODE

Product Code	Product Number	SU
LS18A-W4F-827	4008321800015	6
LS18A-W4F-840	4008321800039	6
LS18A-W4F-765	4008321800077	6
LS36A-W4F-827	4008321800350	6
LS36A-W4F-840	4008321800374	6
LS36A-W4F-765	4008321800398	6
LS72A-W4F-827	4008321800558	6
LS72A-W4F-840	4008321800596	6
LS72A-W4F-765	4008321800619	6

Accessory (to be ordered separately)

Product Code	Product Number	SU
LDTH SHELF JB-4A	4008321804686	5
LDTH SHELF JB-6A	4008321804709	5
LDTH SHELF LS-ENTER	4008321804723	10
LDTH SHELF LS-INTER	4008321804983	10

SALES & TECHNICAL SUPPORT

OSRAM Asia Pacific

30th Floor, China Resource Building,
26 Harbour Road, Wanchai, Hong Kong
+852 3652 5678
www.osram.com

Sales and technical support is given by the local OSRAM subsidiaries. Complete subsidiaries listing is available at OSRAM homepage.

RELATED & FURTHER INFORMATION

- The new dimension of light 153 S006 GB
- OPTORONIC® data sheets <http://catalog.myosram.com>
- OPTORONIC® technical guide 130 T008 GB

Application Note

LEDTOUCH SHELF Advance Installation & Connection Diagram

1. Operation with power supply.

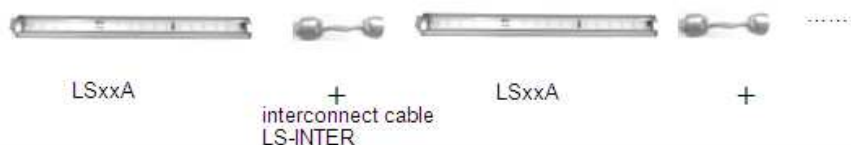
OSRAM OPTOTRONIC Power Supplier	Connection		
	LS18A	LS36A	LS72A
OTe 90/200-240/24	1 for 20	1 for 10	1 for 5

2. Electrical Connection Diagram.

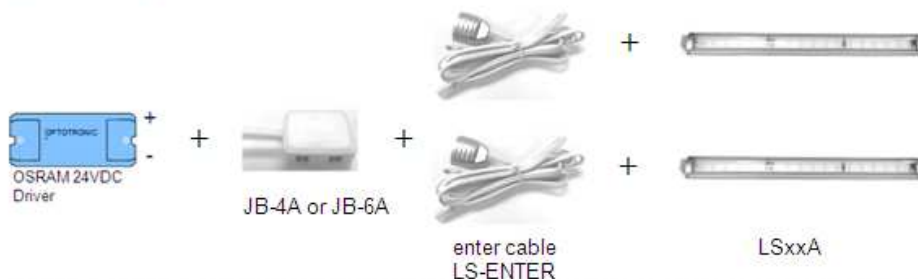
The LED product connecting without gap



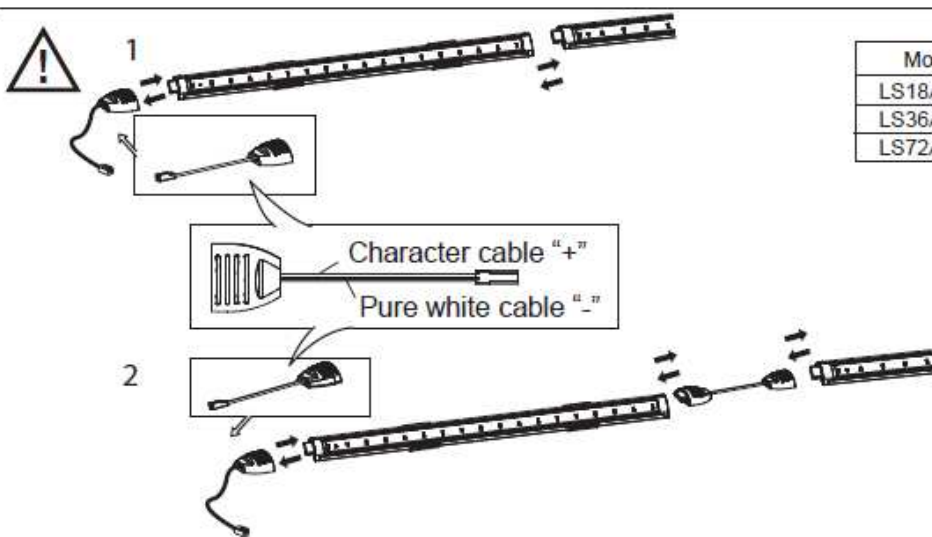
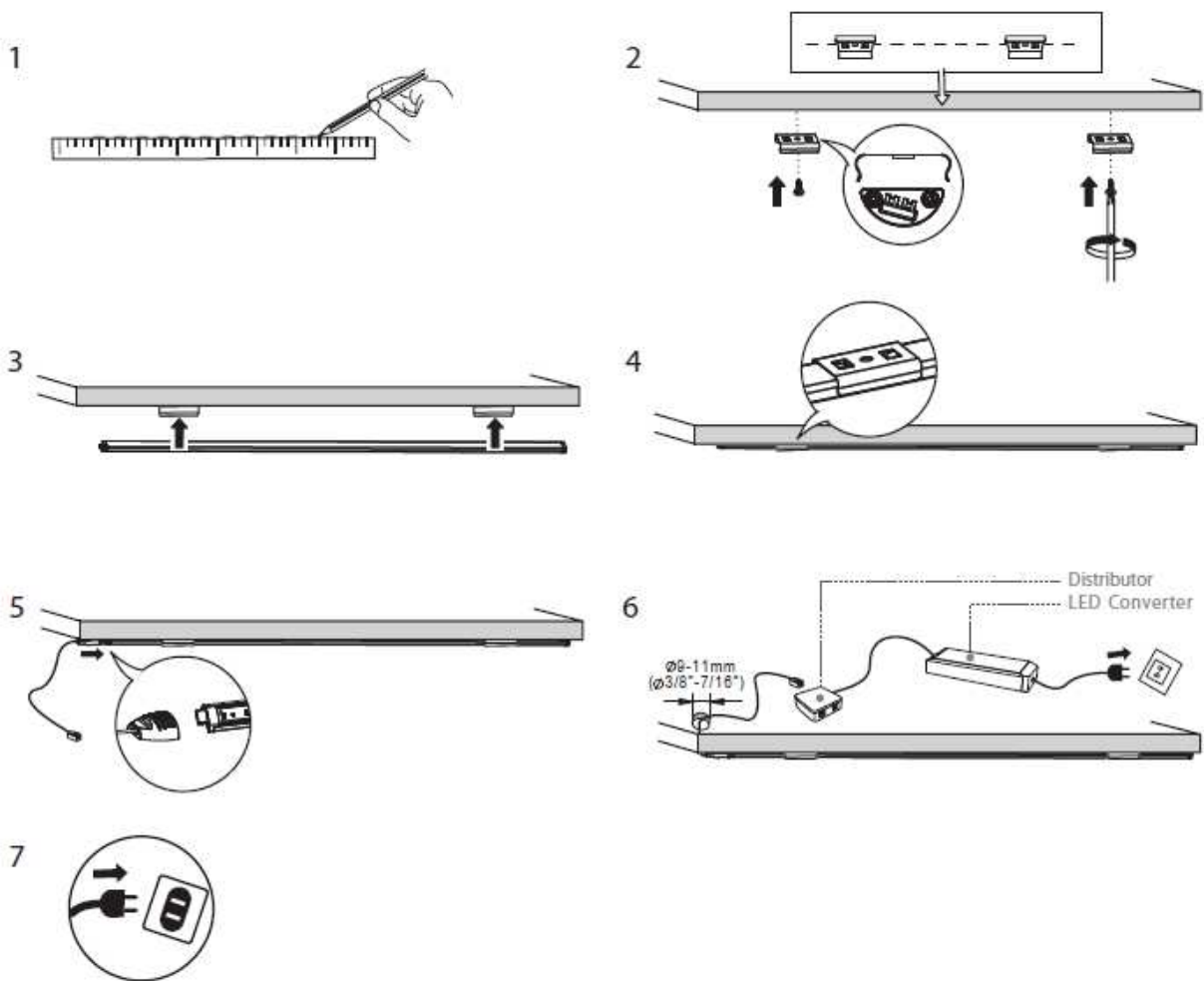
The LED product connecting with interconnect cable



The connecting between LED Products and OT



3. Installation Diagram.



Model	Max. Linkable No.
LS18A-W4F	20
LS36A-W4F	10
LS72A-W4F	5