

## L-PWP10A Cabinet Loudspeaker

### FEATURES

- Multi-cone speaker with powerful and intelligible audio performance
- Stylish design
- Simple power setting
- High impact and fire resistant ABS material
- Easy installation and cost effective
- CE and RoHS compliant



### PRODUCT DESCRIPTION

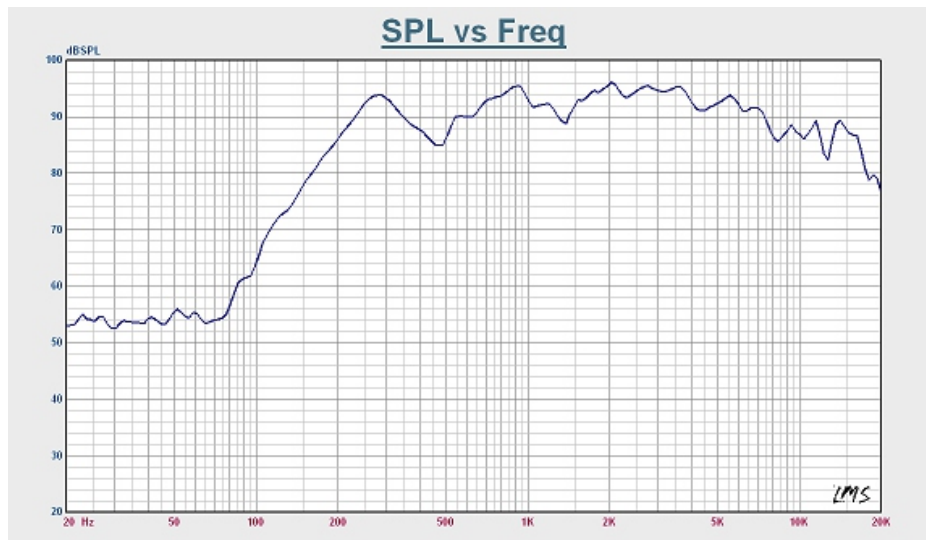
L-PWP10A is a 10W cabinet loudspeaker typically used for general public address applications such as shopping malls, supermarkets, educational institutes, office buildings, hotels, and restaurants. The loudspeaker offers high sound pressure level and wide frequency range, which result in excellent audio and music reproduction. Equipped with high linearity anti-fatigue rubber, the bass audio performance is free from distortion due to a prolonged low-frequency operation.

With 5W, 10W adjustable switches for power handling and multi-cone unit available, the speaker is capable to deliver clear and lucid audio performance on different applications. Spring type terminal on the back box allows easy cable connection. The stylish design made of high impact ABS material is finished in unobtrusive white color. The product has an extraordinary bass response effect. The loudspeaker is CE and RoHS compliant.

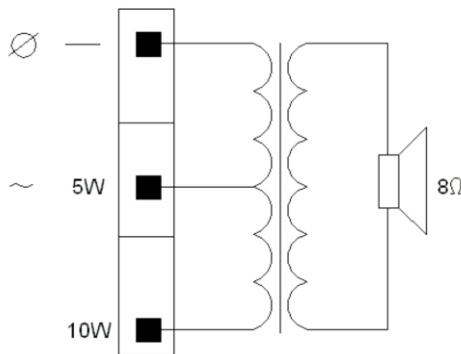
### TECHNICAL SPECIFICATIONS

Model	L-PWP10A
Max power	15 W
Rated power	10 W
Power taps @ 100V	10 W / 5 W
Power taps @ 70V	5 W / 2.5 W
SPL at 10 W / 1W ( 2k Hz, 1m)	101 dB / 92 dB
Frequency response ( - 10 dB )	150 Hz - 17k Hz
Dispersion angle ( 1k Hz / -6 dB )	170°
Rated input voltage	100 V / 70 V
Rated impedance	1k $\Omega$ / 2k $\Omega$
Connector	Push terminal
Dimensions ( W × H × D )	240 × 345 × 100 mm
Diameter of speaker	6.5"
Weight	1.6 kg
Color	White ( RAL9010 )
Weight of magnet	152 g

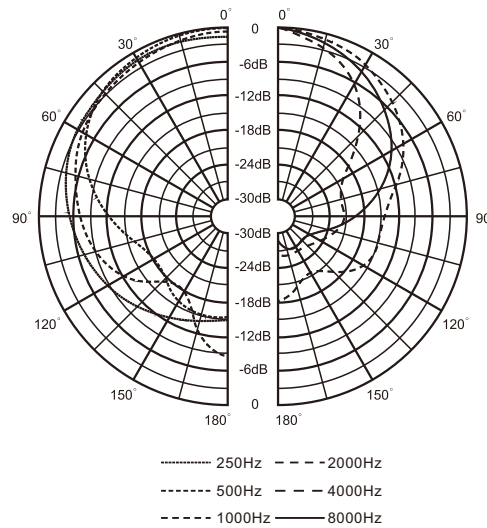
## FREQUENCY RESPONSE



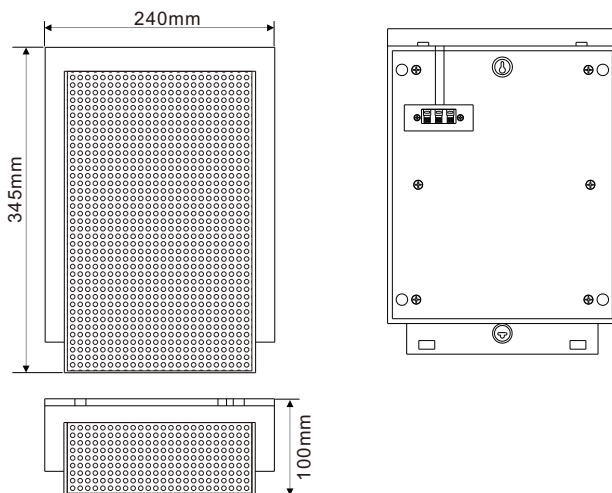
## CIRCUIT DIAGRAM



## POLAR DIAGRAM



## THREE-VIEW DIAGRAM



## Honeywell Audiovisuals

No. 257, Junye Road  
 Guangzhou GETDD East  
 510530 China  
 Tel: +86 20 2839 9600  
 Fax: +86 20 2820 8706  
 www.honeywellav.com

2100040618\_EN2.1  
 Nov 2012  
 © 2012 Honeywell International Inc.

**Honeywell**