

HN-CL06 6W Ceiling Loudspeaker

Features :

- Flush-mounting system for fast and easy installation
- Wide frequency response for excellent speech and music reproduction
- Excellent crash and rust resistant design
- Fully ABS plastic with metal grille
- Power tapping options available – 6/3/1.5W



Product Description:

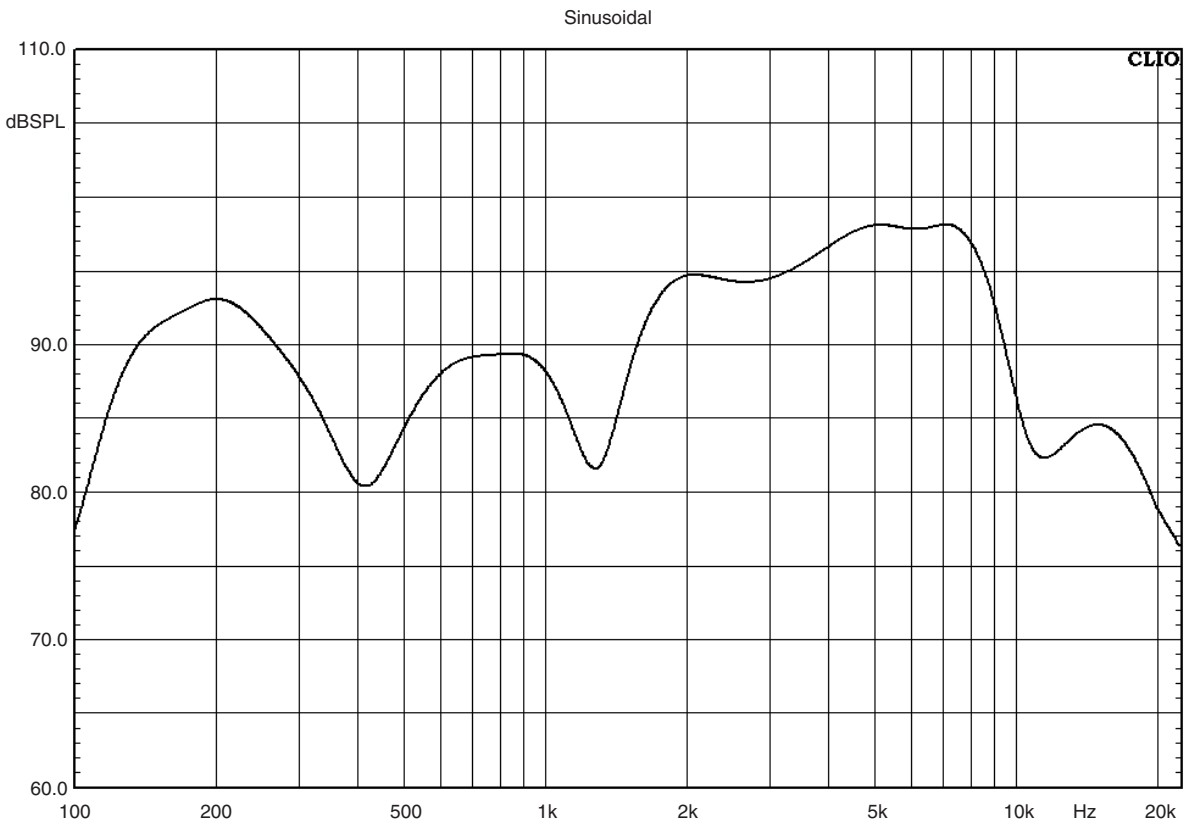
HN-CL06 is an all-purpose 6W ceiling speaker with an excellent audio performance and aesthetic appealing enclosure. This speaker features a high sound pressure level and a wide frequency response and low distortion for high sound level suitable for speech and music reproduction.

HN-CL06 has two spring clamps which can be used to easily fix the speaker into the false ceiling. It has three power taps (6/3/1.5W) with the built in 100V transformer. The round metal grille is well fitted in the front.

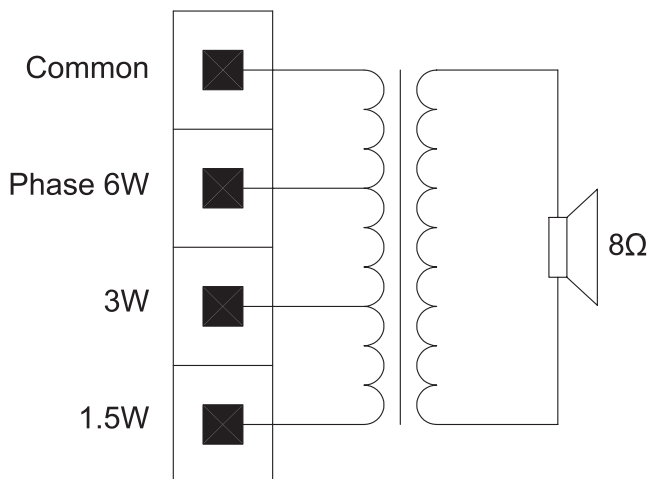
Technical Specification:

Model No	HN-CL06
Rated Power / Max Power	6W / 9W
Power Taps	6w / 3w / 1.5w
Rated Voltage	100 V
Sound Pressure Level at 1w (1m & 1kHz)	90 ± 5 dB
Rated Impedance	1667Ω / 3333Ω / 6666Ω
Frequency Response	125Hz – 16kHz (-10 dB with reference to 1kHz)
SPL at rated power/1W	95dB / 88dB (1m & 1kHz)
Size of Speaker (dia)	166 mm
Hole cut out	140 mm
Magnet Weight	90 gm
Connection	4 Pole screw connector
Dimension	166mm X 60mm
Color	White
Weight of Speaker	500 gm

Frequency Response:



Circuit Diagram:



Contact us :

Please contact your Honeywell Life Safety Sales Manager to assist you on price related queries or the ordering process or email us at HoneywellPAVA@honeywell.com or call at : Tech Support Toll Free no. : **1-800-103-0339**

Honeywell