

# LUXOPTIM™ 4

## 4" LED Downlight

### Data Sheet



The LUXOPTIM™ down light family offer customers the maximum value for money with design philosophy emphasized on simplicity, functionality and above all, it makes sure every penny paid by customers brings the greatest economical reward. LUXOPTIM™ 4 is the 4-inch LED down light in the family which can save up to 60% of electricity compared to 1x18W CFL down light.

#### MAJOR BENEFITS

- **Exceeding High Efficiency**  
85lm/W at 8.7W
- **Efficient CFL replacement**  
Save 60% energy compared with 1x18W CFL
- **Long life time >30,000hrs**  
3-4 times longer life time than CFL
- **Available CCT**  
3000K/4000K/6500K
- **Removable driver box**  
Driver box can be separated to reduce height

#### APPLICATIONS

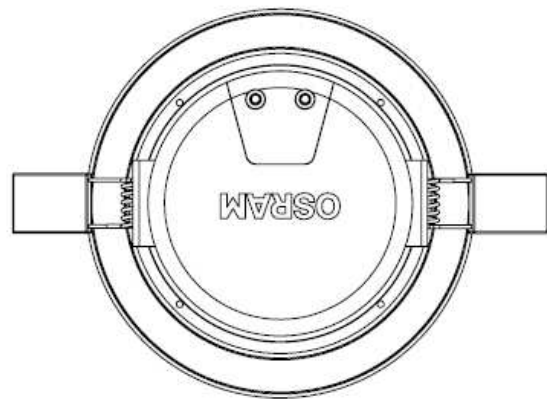
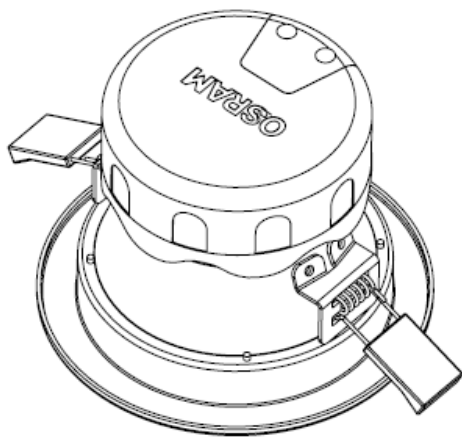
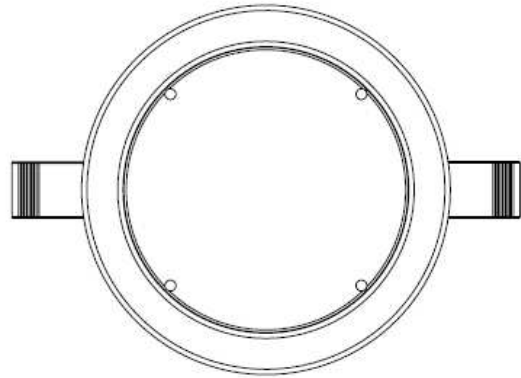
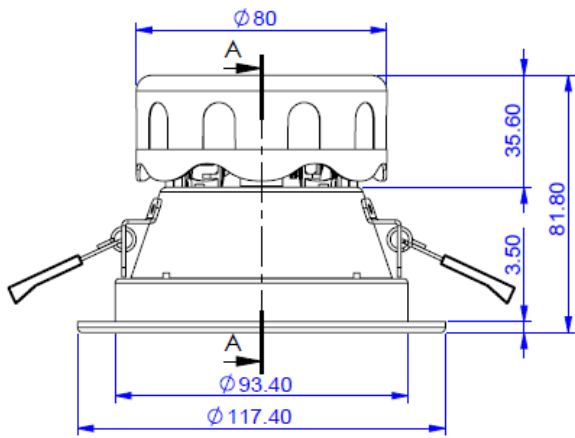
- **Replacement for 1x18W CFL 4" Down light**  
Offer the same lumen output as 1x18W CFL with much better efficacy
- **General vertical illumination**  
The 90° wide beam makes it suitable for general vertical illumination purpose
- **Application locations**  
Shop, Shopping malls, lobby and corridor area

## SPECIFICATION

Parameter	LXPTM4 830 L90	LXPTM4 840 L90	LXPTM4 865 L90
Lumens (lm)	740Lm	775lm	785Lm
Candela (cd)	370cd	380cd	390cd
Beam Angle	90°	90°	90°
Power (typ.)	8.7W	8.7W	8.7W
Efficacy (lm/W)	85lm/W	89 lm/W	90lm/W
CCT (K)	3000K	4000K	6500K
CRI	Typ. 85	Typ. 85	Typ. 85
Lifetime (T <sub>a</sub> @ 25°C)	30,000 hours	30,000 hours	30,000 hours
Input Voltage	220~240VAC		
Mains current	42mA		
Mains frequency	50 ~ 60Hz		
Power Factor	0.9		
Driver Power	0.86W		
Dimension (mm)	Ø117 x 82 (H)		
Mounting Holes	Ø 100mm		
Installation height	100mm with driver box mounted on the luminaire (refer to page 3) 65mm with driver box separated from the luminaire (refer to page 3)		
Body Material	Aluminum and PC		
Ceiling thickness	2~20mm		
Optics	Diffuser cover (PC)		
Weight (g)	200g		
Ambient (°C)	-20 ... 40°C (T <sub>a</sub> in free air)		
Storage (°C)	-20 ... 80°C		
IP Rating	IP20		
Protection Class	II		
Approval Standard	IEC 60598-1, IEC 60598-2-2, IEC 61347-1, IEC 61347-2-13, IEC 62471, IEC/TR 62471-2, CISPR 15, IEC 61547, IEC 61000-3-2		
Approval Mark	CE		
Flammability	F		
Environment	RoHS		
Packaging	Folding box including installation manual		

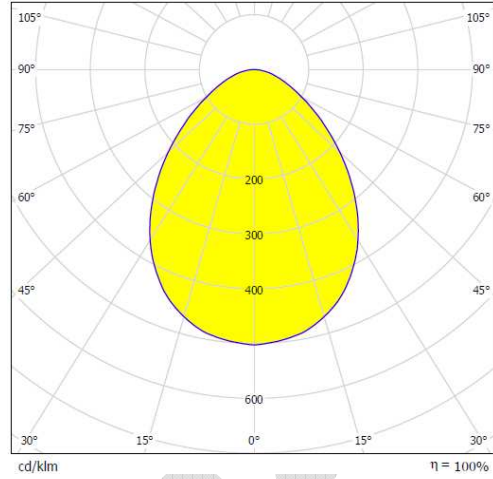
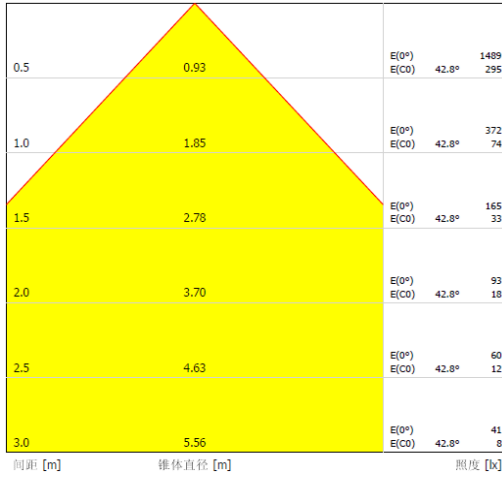
- 1.) Due to the special conditions of manufacturing processes of LED, the typical data of technical parameters can only reflect statistical figures and do not necessarily correspond to the actual parameters of each single product which could differ from the typical data.
- 2.) Exceeding maximum ratings for operation voltage will cause hazardous overload and will likely destroy the LED module.
- 3.) Exceeding maximum ratings for operation and storage temperature will reduce expected life time or destroy the LED module.

# DRAWINGS

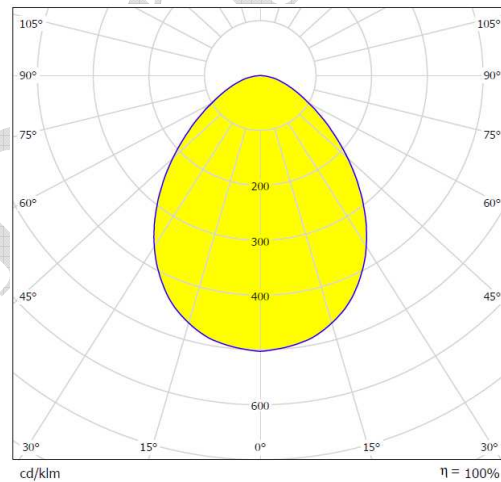
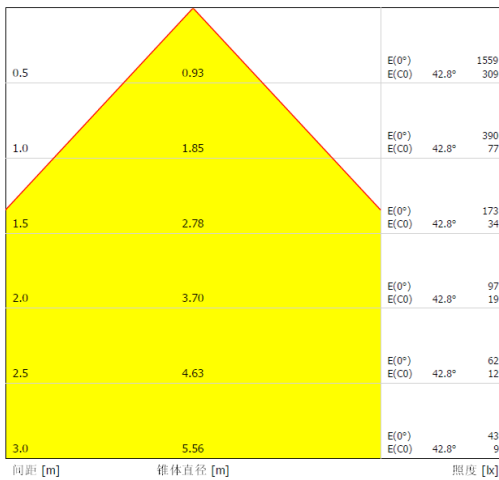


# PHOTOMETRICS

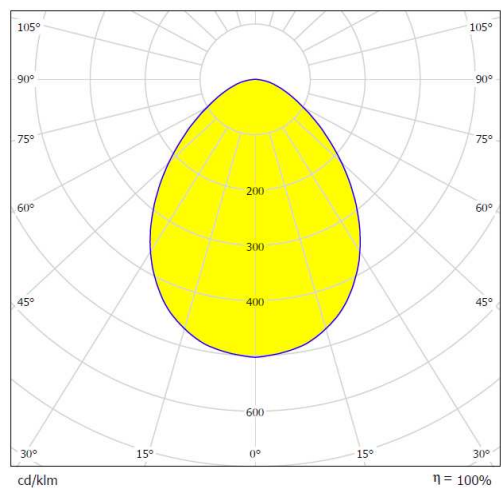
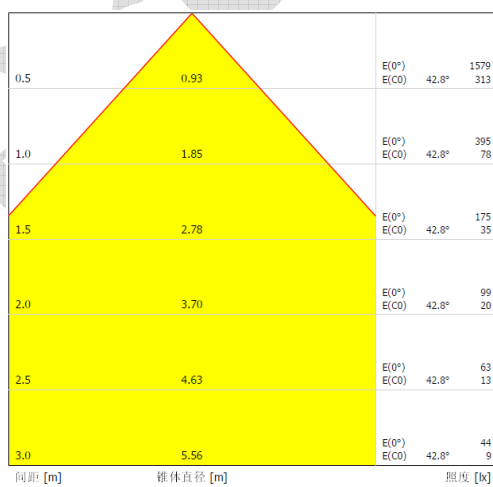
OSRAM LUXOPTIM 4 3000K 80°



OSRAM LUXOPTIM 4 4000K 80°

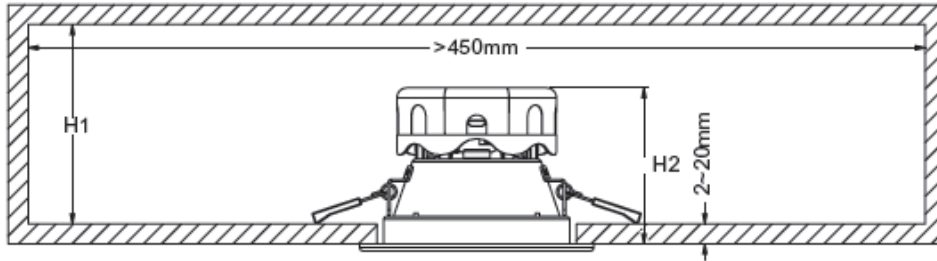


OSRAM LUXOPTIM 4 6500K 80°



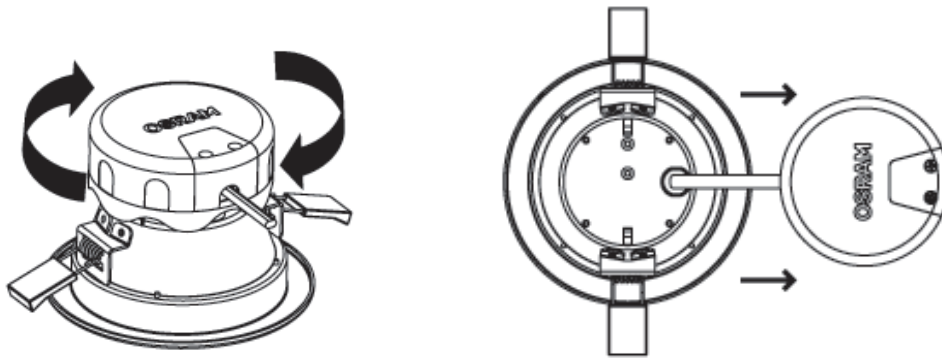
## REMOVABLE DRIVER BOX

Installation requirement with the electronic control gear fixed on top of luminaire  
 电源固定在灯具上时之安装要求

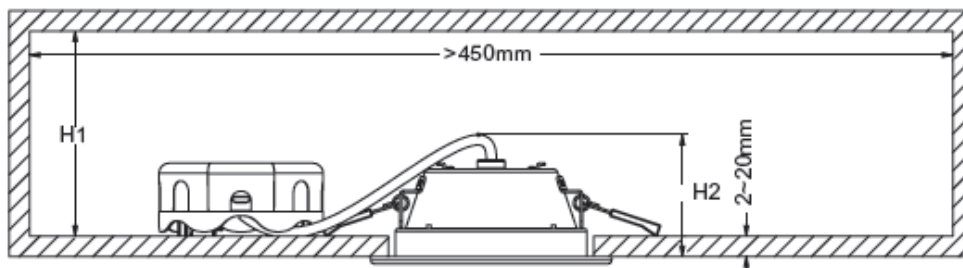


H1:  
 LXPTM4: >100mm  
 LXPTM6: >120mm  
 LXPTM8: >135mm

H2:  
 LXPTM4: 80  
 LXPTM6: 100  
 LXPTM8: 116



Installation requirement with the electronic control gear separate from luminaire  
 电源与灯具分离时之安装要求



H1:  
 LXPTM4: >65mm  
 LXPTM6: >85mm  
 LXPTM8: >100mm

H2:  
 LXPTM4: >60mm  
 LXPTM6: >80mm  
 LXPTM8: >95mm

## ORDERING CODE

### APAC Version

Item	Identity Code	Product Short Text	EAN10	EAN40	Pcs/Box
1	AA434580055	LXPTM4 830 L90 4X1 OSRAM	4008321869432	4008321869449	4
2	AA434590055	LXPTM4 840 L90 4X1 OSRAM	4008321869531	4008321869548	4
3	AA507930055	LXPTM4 865 L90 4X1 OSRAM	4008321869555	4008321869562	4

### China Version

Item	Identity Code	Product Short Text	EAN10	EAN40	Pcs/Box
1	AA434580155	LXPTM4 830 L90 4X1 CN OSRAM	4008321871329	4008321871336	4
2	AA434590155	LXPTM4 840 L90 4X1 CN OSRAM	4008321871343	4008321871350	4
3	AA507930155	LXPTM4 865 L90 4X1 CN OSRAM	4008321871367	4008321871374	4

## SAFETY NOTE

- The luminaire itself and all its components must not be mechanical stressed.
- The luminaire shall under no circumstances be covered thermally insulating material.
- The luminaire must be installed by a licensed electrician following national installation rules.
- If the cord of the luminaire is damaged the complete luminaire must be replaced.
- Damage by corrosion will not be deemed as a materials defect claim. It is the user's responsibility to provide suitable protection against corrosive agents and other harmful elements
- Indoor use only.

## SALES & TECHNICAL SUPPORT

### OSRAM Asia Pacific

30<sup>th</sup> Floor, China Resource Building,  
26 Harbour Road, Wanchai, Hong Kong  
+852 3652 5678  
[www.osram.com](http://www.osram.com)

Sales and technical support is given by the local OSRAM subsidiaries. Complete subsidiaries listing is available at OSRAM homepage.